

IMPORTANT:
Read Before Using

IMPORTANT :
Lire avant usage

IMPORTANTE:
Leer antes de usar



Operating / Safety Instructions

Consignes d'utilisation / de sécurité

Instrucciones de funcionamiento y seguridad

GCA30-42K



BOSCH

1-877-BOSCH99 (1-877-267-2499) www.boschtools.com

English Version
See page page 2

Version française
Voir page 21

Versión en español
Ver la página 41

Safety Symbols

The definitions below describe the level of severity for each signal word. Please read the manual and pay attention to these symbols.



This is the safety alert symbol. It is used to alert you to potential personal injury hazards. Obey all safety messages that follow this symbol to avoid possible injury or death.



DANGER indicates a hazardous situation which, if not avoided, will result in death or serious injury.



WARNING indicates a hazardous situation which, if not avoided, could result in death or serious injury.



CAUTION indicates a hazardous situation which, if not avoided, could result in minor or moderate injury.

General Power Tool Safety Warnings

⚠️ WARNING Read all safety warnings, instructions, illustrations and specifications provided with this power tool. Failure to follow all instructions listed below may result in electric shock, fire, and/or serious injury.

SAVE ALL WARNINGS AND INSTRUCTIONS FOR FUTURE REFERENCE

⚠️ WARNING Only use batteries listed in this operating manual. Only use Button/coin cell 3V lithium CR2032 battery. Do not use any other button/coin cells or other forms of electrical power supply.

⚠️ WARNING Ensure that battery replacement is carried out properly. There is a risk of explosion.

⚠️ WARNING Chemical Burn Hazard. Keep batteries away from children. This product contains a lithium button/coin cell battery. If a new or used lithium button/coin cell battery is swallowed or enters the body, it can cause severe internal burns and can lead to death in as little as 2 hours. If you think a battery might have been swallowed or placed inside any part of the body, seek immediate medical attention.



⚠️ WARNING Always completely secure the battery compartment cover. If the battery compartment cover does not close securely, stop using the product, remove the battery, and keep it away from children.

SAVE THESE INSTRUCTIONS

3

⚠️ WARNING When discarding batteries, insulate the '+' and '-' terminals with insulating tape. When disposed of improperly, lithium batteries may short, causing them to become hot, burst or ignite.

⚠️ WARNING Never dispose of the batteries in a fire or expose to high heat. The batteries may explode.

⚠️ WARNING Do not attempt to recharge the batteries and do not short circuit the batteries. The batteries may leak, explode, catch fire and cause personal injury.

⚠️ WARNING Follow all instructions and warnings provided by your Bluetooth® device manufacturer. Failure to follow recommended procedures could result in personal injury or property damage.

FCC Caution

The manufacturer is not responsible for radio interference caused by unauthorized modifications to this equipment. Such modifications could void the user's authority to operate the equipment.

This device complies with Part 15 of the FCC Rules. Operation is subject to the following two conditions:

- 1) This device may not cause harmful interference, and
- 2) This device must accept any interference received, including interference that may cause undesired operation.

NOTE! This equipment has been tested and found to comply with the limits for a Class B digital devices, pursuant to Part 15 of the FCC rules. These limits are designed to provide reasonable protection against harmful interference in a residential installation. This equipment generates, uses and can

4 SAVE THESE INSTRUCTIONS



radiate radio frequency energy and, if not installed and used in accordance with the instructions, may cause harmful interference to radio communications. However, there is no guarantee that interference will not occur in a particular installation. If this equipment does cause harmful interference to radio or television reception, which can be determined by turning the equipment off and on, the user is encouraged to try to correct the interference by one or more of the following measures:

- Reorient or relocate the receiving antenna.
- Increase the separation between the equipment and receiver.
- Connect the equipment into an outlet on a circuit different from that to which the receiver is connected.
- Consult the dealer or an experienced radio/TV technician for help.

Industry Canada

This device complies with Industry Canada licence-exempt RSS standard(s). Operation is subject to the following two conditions:

- (1) this device may not cause interference, and
- (2) this device must accept any interference, including interference that may cause undesired operation of the device.

SAVE THESE INSTRUCTIONS

5



Intended Use

This autostart system is an attachment that is compatible with Bosch dust extractors. It is designed to automatically start and stop the connected dust extractor when the cordless power tool is turned on/off.

When the cordless power tool is turned on/off, the vibration detection sensor inside the GCT30-42 Auto-Start Remote transfers a start/stop signal to the GCA30-42 receiver. When the GCA30-42 receiver receives the the start/stop signal, the corresponding dust extractor will automatically start/stop.

Refer to the operating instructions for the Auto-Start remote GCT30-42 or the dust extractor used for more information.

SAVE THESE INSTRUCTIONS

Specifications

Receiver	GCA30-42
Operating temperature	-4...+122°F (-20...+50°C)
Storage Temperature	-4...+149°F (-20...+65°C)
Dimensions (length x width x height)	3.58" x 3.11" x 4.76"
Data Transfer	
Bluetooth®	Bluetooth® 4.2 (Low Energy)
Frequency range used	2402-2480 MHz
Output power	< 10 mW

Specifications

Auto-Start Remote	GCT30-42
Operating temperature	-4...+122°F (-20...+50°C)
Storage Temperature	-4...+165°F (-20...+50°C)
Dimensions ^{A)}	1.69" x 0.70" x 1.65"
Attachment band length	9.44"
Protection class	IP54
Data Transfer	
Bluetooth®	Bluetooth® 4.2 (Low Energy)
Frequency range used	2402-2480 MHz
Output power	< 10 mW
Energy Supply	
Coin cell	3V lithium battery, CR 2032

A) Without attachment band

Values can vary depending upon the product and are subject to application and environmental conditions. For further information www.bosch-professional.com/wac.

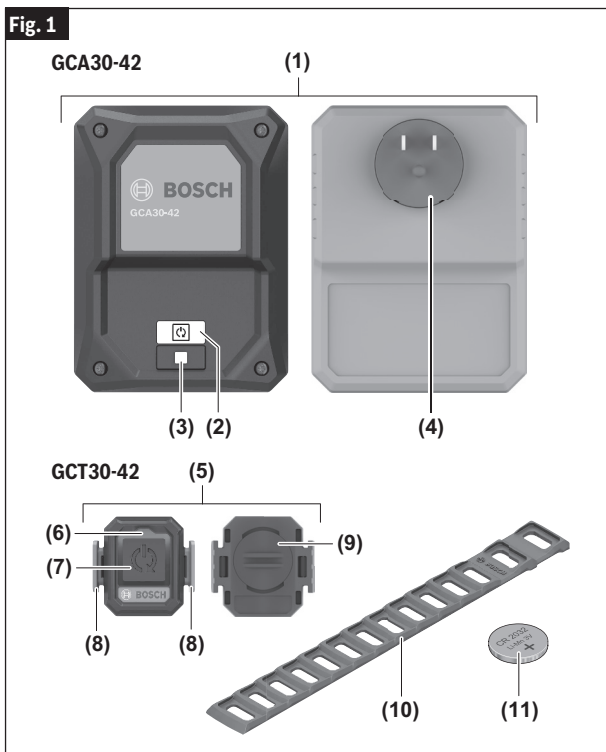
Symbols

Important: Some of the following symbols may be used on your tool. Please study them and learn their meaning. Proper interpretation of these symbols will allow you to operate the tool better and safer.

Symbol	Designation/Explanation
V	Volts (voltage)
kg	Kilograms (weight)
min	Minutes (time)
s	Seconds (time)
n_0	No load speed (rotational speed, at no load)
n	Rated speed (Maximum attainable speed)
0	Off position (zero speed, zero torque...)
➔	Arrow (action in the direction of arrow)
~	Type or a characteristic of current
≡	Type or a characteristic of current

Getting to Know Your GCA30-42K Auto-Start System

Fig. 1



Getting to Know Your GCA30-42K Auto-Start System

GCA30-42 Components:

- 1 Receiver
- 2 Status Indicator with Auto-Start Symbol (User Interface)
- 3 Button (User Interface)
- 4 Plug

GCT30-42 Components:

- 5 Auto-Start Remote
- 6 LED Status Indicator (User Interface)
- 7 Start/Stop Button (User Interface)
- 8 Fastening Hook for Attachment Band
- 9 Battery Compartment Cover
- 10 Attachment Band
- 11 CR2032 3V Li-ion Coin Cell Battery*

*Included in the GCT30-42



Assembly

Mounting the Auto-Start Remote

To mount the Auto-Start Remote:

1. Attach one end of the Attachment Band **10** to one of the two Fastening Hooks **8** (Fig. 2).
2. Secure the Auto-Start Remote **5** to the cordless tool. To do so, tighten the Attachment Band **10** and attach the free end to the second Fastening Hook **8** (Fig. 3). If needed, cut the attachment band to the correct length.

When attaching the Auto-Start Remote to the cordless tool, ensure it is placed in an area that generates sufficient vibration during operation and that it is tight on the tool.

Note: Never attach the Auto-Start Remote to places that are required to operate the cordless tool (for example, gripping surfaces, switches, etc).




Fig. 2

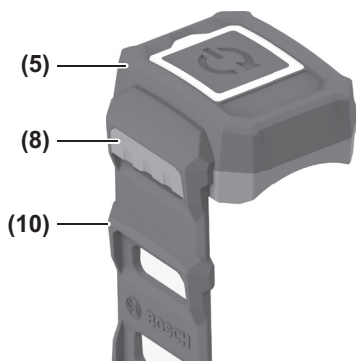
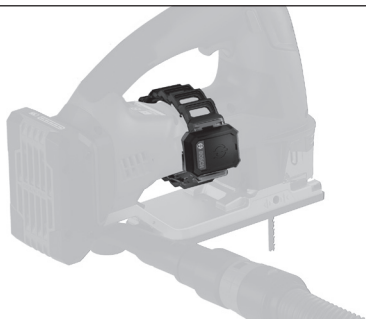


Fig. 3



Operation

Establishing Connection

1. Ensure that the Auto-Start Remote **5** is within range of the Receiver **1**.
2. Insert the plug of the dust extractor into the primary power source.
3. Set the switch of the dust extractor to Power Tool Activation Mode (Fig. 4).
4. Insert the Plug **4** of the Receiver **1** into the plug socket on the dust extractor. Pairing mode will begin automatically. The Status Indicator with Auto-Start Symbol **2** will flash blue (Fig. 5).
5. Press the Start/Stop Button **7** on the Auto-Start Remote **5** until the LED Status Indicator **6** flashes blue twice. The LED Status Indicator **6** on the Auto-Start Remote **5** will briefly flash blue (Fig. 6).



Fig. 5

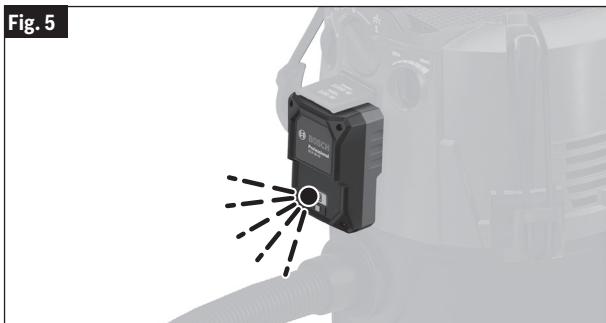
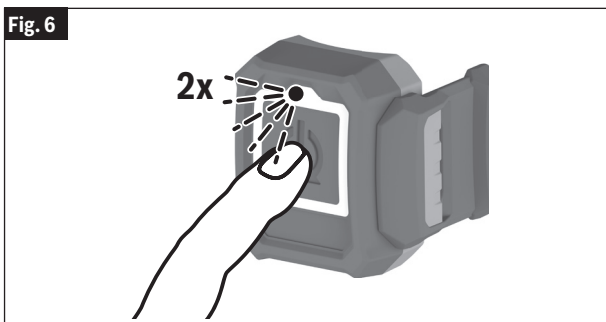
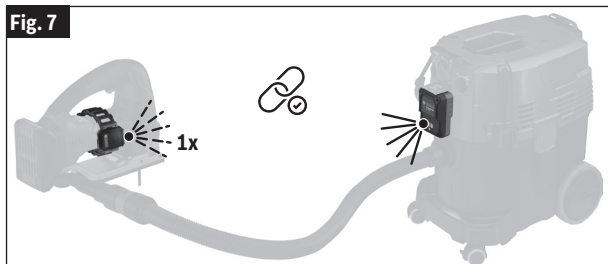


Fig. 6



Connection Established

- When the connection has been successfully established, the Status Indicator with Auto-Start Symbol **2** on the Receiver **1** lights up green.
- The LED Status Indicator **6** on the Auto-Start Remote **5** will briefly flash green.



Battery Replacement

When changing the coin cell, the following shall apply:

- If the Auto-Start Remote **5** was connected to the Receiver **1** before changing the coin cell, the connection is automatically reestablished after changing the coin cell.
- If the modules were not connected before replacing the coin cell, the connection will need to be established.

After a reset, the Auto-Start Remote and the Receiver must be reconnected.

GCA30-42: Status Indicator (2)	Meaning/Cause	Solution
Blue	<ul style="list-style-type: none"> - Connection is established or - Data is being received 	
Green	<ul style="list-style-type: none"> - Connection established and active 	
Yellow	<ul style="list-style-type: none"> - Connection interrupted 	<ul style="list-style-type: none"> - Move Auto-Start remote closer to the receiver - Initiate vibration detection or press the Start/Stop Button 7
GCT30-42: LED Status Indicator (user interface) (6)	Meaning/Cause	Solution
Blue	<ul style="list-style-type: none"> - Connection is established or - Data is being transmitted 	
Green	<ul style="list-style-type: none"> - Connection established - Coin cell sufficiently charged 	



Yellow	– Coin cell nearly discharged	Change coin cell soon
Red	– Connection not established or – Coin cell discharged	– Restart the connection attempt or – Change the coin cell

Resetting to Factory Settings

- **Receiver GCA30-42:** Press and hold the Button **3** until the status indicator with the Auto-Start Symbol **2** flashes blue four times in rapid succession.
- **Auto-Start Remote GCT30-42:** Press and hold the Start/Stop Button **7** until the LED Status Indicator **6** flashes blue four times in rapid succession.

Vibration Detection

The Auto-Start Remote **5** is equipped with vibration detection. Once the utilized cordless tool is activated, the Auto-Start Remote **5** detects the vibrations of the activated cordless tool and automatically switches on the dust extractor.

- If the cordless tool is switched off, the dust extractor will switch off automatically.

Note: After the tool is switched off, in order to empty the hose, the dust extractor switches off 10-15 seconds later.





Auto Starting/Stopping the Dust Extractor

- Once the plug of the dust extractor has been inserted into the primary power source, the switch of the dust extractor has been set to Power Tool Activation Mode, the Plug **4** of the Receiver **1** has been inserted into the plug socket of the dust extractor and both the Auto-Start Remote **5** and Receiver **1** have been successfully paired, your auto start system is ready to be used.
- Ensure that the Auto-Start Remote **5** is flush and snug against the mounting surface of the cordless tool by adjusting the position on the supplied Attachment Band **10**.
- Insert the extraction hose into the dust extractor attachment of the cordless tool.
- Once the cordless power tool is turned on/off, a start/stop signal is sent from the Auto-Start Remote **5** to the Receiver **1** and the corresponding dust extractor is turned on/off.

Utilizing Manual Mode

- Briefly press the Start/Stop Button **7** on the Auto-Start Remote **5**. The dust extractor will be switched on.
- To switch the dust extractor off, briefly press the Start/Stop Button **7** on the Auto-Start Remote **5** again.

Note: If the dust extractor is switched off using the Start/Stop Button **7** on the Auto-Start Remote **5**, the dust extractor will automatically switch on once the Auto-Start Remote **5** detects the vibrations of the activated cordless tool.



Maintenance

Remove any visible dirt and debris using a brush or a damp cloth. Do not use any detergents or solvents.

Coin Cell Replacement

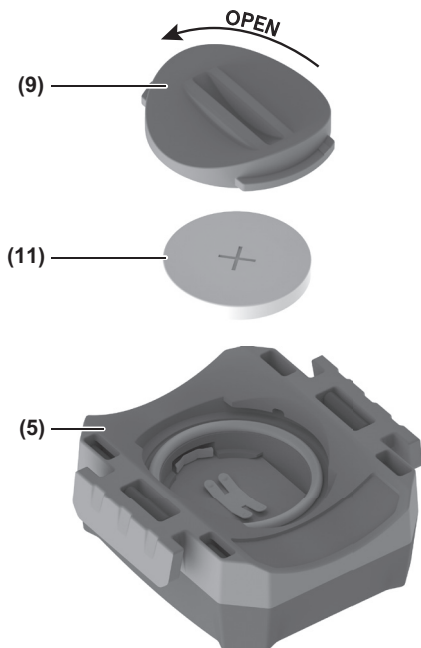
⚠ WARNING **The coin cell must always be replaced with a coin cell of the same type.** There is a risk of explosion if any other coin cell type is utilized than what is recommended.

Removal of the Coin Cell

⚠ WARNING **The drained coin cell may leak and damage the product or cause personal injury.**

1. Open the Battery Compartment Cover **9** on the rear of the Auto-Start Remote **5** with a coin or small flat head screwdriver by turning counter-clockwise (Fig. 8). Once the Battery Compartment Cover is loose, remove the battery compartment cover from the Auto-Start Remote.
2. Carefully remove the older coin cell and insert the new coin cell into the Auto-Start Remote **5** (Fig. 8). To ensure the new coin cell is correctly inserted, follow the markings on the Auto-Start Remote carefully.
3. Once the new coin cell has been inserted correctly, reinstall the Battery Compartment Cover **9** onto the rear of the Auto-Start Remote **5** and turn the Battery Compartment Cover clockwise utilizing a coin or a small flat head screwdriver until it can go no further (Fig. 8). This will ensure that the Battery Compartment Cover is properly secure.

Fig. 8



Symboles relatifs à la sécurité

Les définitions ci-dessous décrivent le niveau de gravité pour chaque terme concernant des précautions à prendre. Veuillez lire le mode d'emploi et lire la signification de ces symboles.



C'est le symbole d'alerte relatif à la sécurité. Il est utilisé pour vous avertir de l'existence possible d'un risque de blessure. Obéissez à tous les messages relatifs à la sécurité qui suivent ce symbole pour éviter tout risque de blessure ou même de mort.

DANGER

DANGER indique une situation dangereuse qui, si elle n'est pas évitée, causera la mort d'une personne ou une blessure grave.

AVERTISSEMENT

AVERTISSEMENT indique une situation dangereuse qui, si elle n'est pas évitée, pourrait causer la mort d'une personne ou une blessure grave.

MISE EN GARDE

MISE EN GARDE indique une situation dangereuse qui, si elle n'est pas évitée, pourrait causer une blessure légère ou modérée.

CONSERVER CES INSTRUCTIONS

21

Avertissements généraux concernant la sécurité des outils lectroportatifs

⚠ AVERTISSEMENT Lisez toutes les consignes de sécurité, instructions, illustrations et spécifications fournies avec cet outil électrique. Le non-respect de toutes les instructions figurant ciaprès pourrait causer un choc électrique, un incendie et/ou des blessures graves.

CONSERVEZ TOUS LES AVERTISSEMENTS ET TOUTES LES CONSIGNES DE SÉCURITÉ POUR RÉFÉRENCE FUTURE


⚠ AVERTISSEMENT N'utilisez que des piles CR2032 au lithium de 3 V en forme de bouton/pièce de monnaie. N'utilisez pas d'autres piles en forme de bouton/pièce de monnaie ou d'autres types d'alimentation électrique.

⚠ AVERTISSEMENT Assurez-vous que les piles sont remplacées de façon appropriée. Il existe un risque d'explosion.

⚠ AVERTISSEMENT Risque de brûlure chimique. Gardez les piles hors de la portée des enfants. Ce produit contient une pile au lithium en forme de bouton/pièce de monnaie. Si une pile au lithium en forme de bouton/pièce de monnaie neuve ou usagée est avalée ou entre dans le corps, elle risque de causer de graves brûlures internes et de causer la mort en deux heures seulement. Si vous pensez que des piles ont pu avoir été avalées ou placées dans une partie quelconque du corps, consultez immédiatement un membre du corps médical.



⚠ AVERTISSEMENT Sécurisez toujours complètement le cache du compartiment de la pile. Si le cache du





compartiment de la pile n'est pas bien sécurisé, cessez d'utiliser le produit, retirez-en la pile et gardez-le hors de la portée des enfants.

⚠ AVERTISSEMENT Lorsque vous mettez des piles au rebut, isolez les bornes « + » et « - » avec un ruban isolant. Si elles sont mises au rebut de façon inappropriée, les piles au lithium risquent de se court-circuiter, ce qui élèvera leur température et risque de les faire éclater ou de causer leur inflammation.

⚠ AVERTISSEMENT Ne jetez jamais de piles dans un feu et ne les exposez pas à une chaleur élevée. Les piles pourraient exploser.

⚠ AVERTISSEMENT Ne tentez pas de recharger les piles et ne courtcircuitiez pas les piles. Les piles risqueraient de fuir, d'exploser, de prendre feu et de causer des blessures.

⚠ AVERTISSEMENT Suivez toutes les instructions et tous les avertissements fournis par votre fabricant de dispositif Bluetooth®. Le non-respect des procédures recommandées pourrait causer des blessures ou des dommages matériels.



Mise en garde de la FCC

Le fabricant n'est pas responsable de toute interférence radio à cause de modifications non autorisées apportées à ce matériel. De telles modifications pourraient annuler l'autorisation accordée à l'utilisateur pour utiliser ce matériel.

Cet appareil est conforme à la partie 15 des Règlements de la FCC. Son utilisation est autorisée moyennant le respect des deux conditions suivantes :

- 1) Cet appareil ne doit pas causer d'interférences nuisibles ; et
- 2) Cet appareil doit accepter toute interférence reçue, y compris les interférences qui risquent de causer un fonctionnement indésirable.

CONSERVER CES INSTRUCTIONS

23



REMARQUE! Cet équipement a été testé et jugé conforme aux limites pour un équipement numérique de Classe B en vertu de la Partie 15 des Règlements de la FCC. Ces limites sont conçues pour assurer une protection raisonnable contre les interférences nuisibles dans une installation résidentielle. Cet équipement émet, utilise et peut rayonner de l'énergie de fréquence radio et, s'il n'est pas installé et utilisé conformément aux instructions, il pourrait causer des interférences nuisibles aux communications radio. Cependant, il n'existe aucune garantie qu'aucune interférence ne se produira dans une installation particulière. Si cet équipement cause des interférences nuisibles pour la réception de programmes à la radio ou à la télévision, ce qui peut être déterminé en allumant et en éteignant à plusieurs reprises l'équipement en question, l'utilisateur est encouragé à corriger l'interférence en prenant une ou plusieurs des mesures suivantes :

- Réorienter ou déplacer l'antenne de réception.
- Augmenter la distance entre l'équipement et le récepteur.
- Connecter l'équipement à une prise de courant raccordée à un circuit différent de celui auquel le récepteur est connecté.
- Consulter le détaillant ou un technicien radio ou télévision expérimenté pour lui demander conseil.

Industrie Canada

Este dispositivo cumple con el estándar o los estándares RSS exentos de licencia de Industry Canada. Su utilización está sujeta a las dos condiciones siguientes:

- (1) este dispositivo no podrá causar interferencia y
- (2) este dispositivo debe aceptar cualquier interferencia, incluyendo interferencia que pueda causar un funcionamiento no deseado del dispositivo.



Utilisation prévue

Ce système de démarrage automatique est un attachement compatible avec les appareils de dépeussierage Bosch. Il est conçu pour faire démarrer et arrêter automatiquement l'appareil de dépeussierage connecté lorsque l'outil électrique sans fil est mis en marche ou arrêté.

Lorsque l'outil électrique sans fil est mis en marche ou arrêté, le capteur de détection des vibrations situé à l'intérieur de la télécommande de démarrage automatique GCT30-42 transmet un signal de démarrage ou d'arrêt au récepteur GCA30-42. Lorsque le récepteur GCA30-42 reçoit le signal de mise en marche ou d'arrêt, l'appareil de dépeussierage correspondant démarre ou s'arrête automatiquement.

Pour plus d'informations, reportez-vous au mode d'emploi de la télécommande Auto-Start GCT30-42 ou de l'appareil de dépeussierage utilisé.

CONSERVER CES INSTRUCTIONS

Spécifications

Récepteur	GCA30-42
Température de fonctionnement	-4...+122°F (-20...+50°C)
Température de stockage	-4...+149°F (-20...+65°C)
Dimensions (longueur x largeur x hauteur)	3,58 po x 3,11 po x 4,76 po
Transfert de données	
Bluetooth®	Bluetooth® 4.2 (faible consommation d'énergie)
Plage de fréquences utilisées	2 402-2 480 MHz
Puissance de sortie	< 10 mW

Spécifications

Télécommande de démarrage automatique	GCT30-42
Température de fonctionnement	-4...+122°F (-20...+50°C)
Température de stockage	-4...+165°F (-20...+50°C)
Dimensions ^{A)}	1,69 po x 0,70 po x 1,65 po
Longueur de bande de l'attachement	9,44 po
Classe de protection	IP54
Transfert de données	
Bluetooth®	Bluetooth® 4.2 (faible consommation d'énergie)
Plage de fréquences utilisées	2402-2480 MHz
Puissance de sortie	< 10 mW
Approvisionnement en énergie	Module Bluetooth à faible consommation d'énergie
Pile en forme de pièce de monnaie :	Pile au lithium de 3 V, CR 2032

A) Sans bande d'attachement

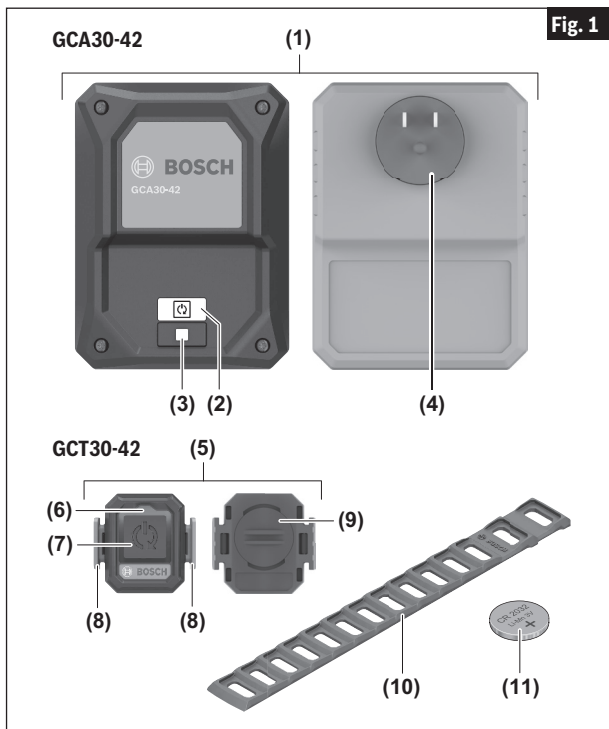
Les valeurs peuvent varier en fonction du produit, et elles sont soumises aux conditions d'application et d'environnement. Pour de plus amples informations, veuillez aller sur le site www.bosch-professional.com/wac.

Symboles

Important : Certains des symboles suivants peuvent être utilisés sur votre outil. Veuillez les étudier et apprendre leur signification. Une interprétation appropriée de ces symboles vous permettra d'utiliser l'outil de façon plus efficace et plus sûre.

Symbole	Désignation / Explication
V	Volts (voltage)
kg	Kilogrammes (poids)
min	Minutes (temps)
s	Seconds (temps)
n_0	Vitesse à vide (vitesse de rotation, à vide)
n	Vitesse nominale (vitesse maximum pouvant être atteinte)
0	Position d'arrêt (vitesse zéro, couple zéro ...)
➔	Flèche (action dans la direction de la flèche)
~	Courant alternatif (type ou caractéristique du courant)
≡	Courant continu (type ou caractéristique du courant)

Familiarisez-vous avec votre système de démarrage automatique GCA30-42K



Familiarisez-vous avec votre système de démarrage automatique GCA30-42K

Composants du système GCA30-42 :

- 1 Récepteur
- 2 Indicateur d'état de fonctionnement avec symbole de démarrage automatique (Interface utilisateur)
- 3 Bouton (Interface utilisateur)
- 4 Fiche

Composants du système GCT30-42 :

- 5 Télécommande de démarrage automatique
- 6 Voyant d'état de fonctionnement à DEL (Interface utilisateur)
- 7 Bouton de Marche/Arrêt (Interface utilisateur)
- 8 Crochet de fixation pour la bande d'attachement
- 9 Cache du compartiment de la pile
- 10 Bande d'attachement
- 11 Pile en forme de pièce de monnaie CR2032 3V Li-ion*

*Incluse dans le système GCT30-42



Assemblage

Montage de la télécommande de démarrage automatique

Pour monter la télécommande de démarrage automatique :

1. Attachez une extrémité de la bande d'attachement **10** à l'un des deux crochets de fixation **8** (Fig. 2).
2. Attachez la télécommande de démarrage automatique **5** à l'outil sans fil. Pour ce faire, serrez la bande d'attachement **10** et attachez l'extrémité libre au deuxième crochet de fixation **8** (Fig. 3). Si nécessaire, coupez la bande d'attachement à la longueur correcte.

Lorsque vous attachez la télécommande de démarrage automatique à l'outil sans fil, assurez-vous qu'elle est placée dans un endroit qui génère suffisamment de vibrations pendant le fonctionnement et qu'elle est bien serrée sur l'outil.

Remarque : Ne fixez jamais la télécommande de démarrage automatique dans des endroits qui sont nécessaires pour faire fonctionner l'outil sans fil (par exemple, des surfaces de préhension, des interrupteurs, etc.).



Fig. 2

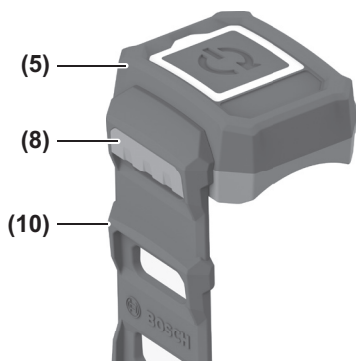
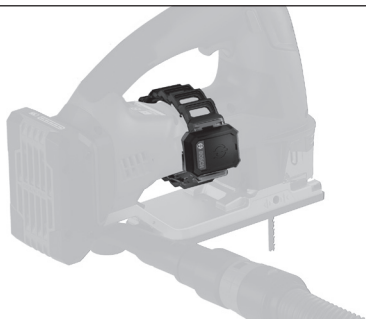


Fig. 3



Consignes de fonctionnement

Établissement d'une connexion

1. Assurez-vous que la télécommande de démarrage automatique **5** est à portée du récepteur **1**.
2. Insérez la fiche de l'appareil de dépoussiérage dans la source d'alimentation principale.
3. Placez l'interrupteur de l'appareil de dépoussiérage dans le mode d'activation de l'outil électrique (Fig. 4).
4. Insérez la fiche **4** du récepteur **1** dans la prise de l'appareil de dépoussiérage. Le mode d'appariement s'active automatiquement. Le voyant d'état de fonctionnement avec le symbole de démarrage automatique **2** clignote en bleu (Fig. 5).
5. Appuyez sur le bouton de Marche-Arrêt **7** de la télécommande de démarrage automatique **5** jusqu'à ce que le voyant d'état de fonctionnement à DEL **6** clignote deux fois en bleu. Le voyant d'état de fonctionnement à DEL **6** de la télécommande de démarrage automatique **5** clignote brièvement en bleu (Fig. 6).



32

Fig. 5

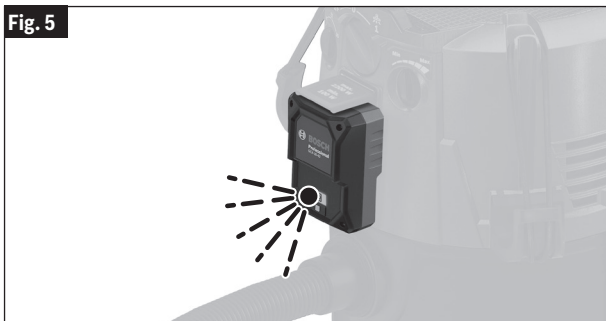
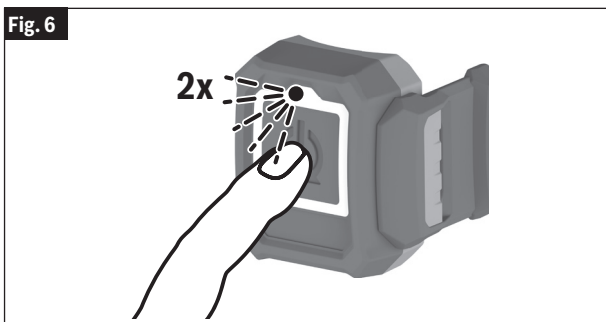


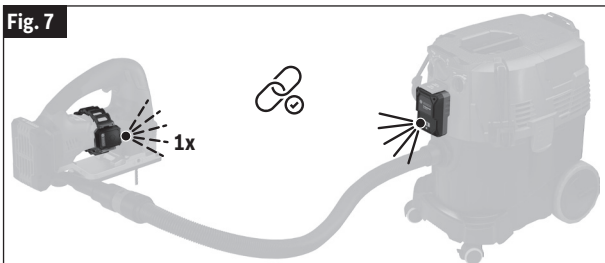
Fig. 6



Connexion établie

- Lorsque la connexion a été établie avec succès, le voyant d'état de fonctionnement avec le symbole de démarrage automatique **2** sur le récepteur **1** s'allume en vert.
- Le voyant d'état de fonctionnement **6** de la télécommande de démarrage automatique **5** clignote brièvement en vert.

Fig. 7



Remplacement de la pile :

Lors du remplacement de la pile en forme de pièce de monnaie :

- Si la télécommande de démarrage automatique **5** était connectée au récepteur **1** avant le changement de la pile en forme de pièce de monnaie, la connexion est automatiquement rétablie après le changement de la pile.
- Si les modules n'ont pas été connectés avant le remplacement de la pile en forme de pièce de monnaie, la connexion doit être établie.

Après une réinitialisation, la télécommande de démarrage automatique et le récepteur doivent être reconnectés.

GCA30-42 : Voyant d'état de fonctionnement (2)	Signification/Cause	Solution
Bleu	<ul style="list-style-type: none"> - La connexion est établie ou - Les données sont en cours de réception 	
Vert	<ul style="list-style-type: none"> - La connexion est établie et active 	
Jaune	<ul style="list-style-type: none"> - La connexion est interrompue 	<ul style="list-style-type: none"> - Rapprochez la télécommande de démarrage automatique du récepteur - Déclenchez la détection des vibrations ou appuyer sur le bouton de Marche-Arrêt 7
GCT30-42 : Voyant d'état de fonctionnement à DEL (Interface utilisateur) (6)	Signification/Cause	Solution
Bleu	<ul style="list-style-type: none"> - La connexion est établie ou - Les données sont en cours de transmission 	


Vert	<ul style="list-style-type: none"> – La connexion est établie – La pile en forme de pièce de monnaie est suffisamment chargée 	
Jaune	<ul style="list-style-type: none"> – La pile en forme de pièce de monnaie est presque déchargée 	Changez bientôt la pile en forme de pièce de monnaie
Rouge	<ul style="list-style-type: none"> – La connexion n'est pas établie ou – La pile en forme de pièce de monnaie est déchargée 	<ul style="list-style-type: none"> – Redémarrez la tentative de connexion ou – Changez la pile en forme de pièce de monnaie

Réinitialisation avec les paramètres de réglage initiaux

- **Récepteur GCA30-42** : Appuyez sur le bouton **3** et maintenez-le enfoncé jusqu'à ce que le voyant d'état de fonctionnement avec le symbole de démarrage automatique **2** clignote en bleu quatre fois en succession rapide.
- **Télécommande de démarrage automatique GCT30-42** : Appuyez sur le bouton de Marche-Arrêt **7** et maintenez-le enfoncé jusqu'à ce que le voyant d'état de fonctionnement à DEL **6** clignote en bleu quatre fois en succession rapide.

Détection des vibrations

La télécommande de démarrage automatique **5** est équipée d'un système de détection des vibrations. Lorsque l'outil sans fil utilisé est activé, la télécom-





mande de démarrage automatique **5** détecte les vibrations de l'outil sans fil activé, et elle met automatiquement en marche l'appareil de dépoussiérage.

- Si l'outil sans fil est éteint, l'appareil de dépoussiérage s'éteint automatiquement.

Remarque : Après que l'outil a été mis hors tension, pour permettre de vider le tuyau flexible l'appareil de dépoussiérage se met hors tension de 10 à 15 secondes plus tard.

Démarrage/arrêt automatique de l'appareil de dépoussiérage

- 
- Une fois que la fiche de l'appareil de dépoussiérage a été insérée dans la source d'alimentation principale, que l'interrupteur de l'appareil de dépoussiérage a été réglé sur le mode d'activation de l'outil électrique, que la fiche **4** du récepteur **1** a été insérée dans la prise de courant de l'appareil de dépoussiérage et que la télécommande de démarrage automatique **5** et le récepteur **1** ont été appariés avec succès, votre système de démarrage automatique est prêt à être utilisé.
 - Assurez-vous que la télécommande de démarrage automatique **5** est bien ajustée au ras de la surface de montage de l'outil sans fil en ajustant la position de la bande d'attachement **10** fournie.
 - Insérez le tuyau d'extraction dans l'attachement d'appareil de dépoussiérage de l'outil sans fil.
 - Lorsque l'outil électrique sans fil est mis en marche ou arrêté, un signal de marche ou d'arrêt est envoyé de la télécommande de démarrage automatique **5** au récepteur **1**, et l'appareil de dépoussiérage correspondant est mis en marche ou arrêté.
- 



Utilisation du mode manuel

- Appuyez brièvement sur le bouton de Marche-Arrêt **7** de la télécommande de démarrage automatique. L'appareil de dépoussiérage sera alors mis en marche.
- Pour mettre l'appareil de dépoussiérage hors tension, appuyez à nouveau brièvement sur le bouton de Marche-Arrêt **7** de la télécommande de démarrage automatique.

Remarque : Si l'appareil de dépoussiérage est éteint à l'aide du bouton de Marche-Arrêt 7 de la télécommande de démarrage automatique, l'appareil de dépoussiérage s'allumera automatiquement dès que la télécommande de démarrage automatique détectera les vibrations de l'outil sans fil activé.



Entretien

Éliminez les saletés et les débris visibles à l'aide d'une brosse ou d'un chiffon humide. N'utilisez pas de solvants ou de détergents.

Remplacement de la pile en forme de pièce de monnaie

⚠ AVERTISSEMENT La pile en forme de pièce de monnaie doit toujours être remplacée par une pile en forme de pièce de monnaie de même type. Il y a un risque d'explosion si l'on utilise un autre type de pile que celui qui est recommandé.



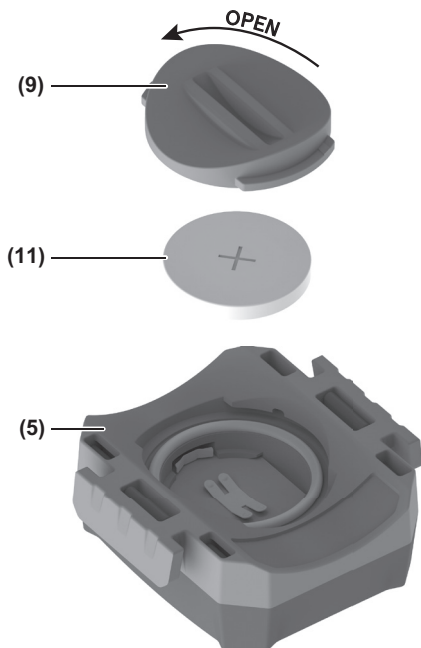


Retrait de la pile en forme de pièce de monnaie

⚠ AVERTISSEMENT La pile en forme de pièce de monnaie complètement déchargée peut subir des fuites et endommager le produit ou causer des blessures.

1. Ouvrez le cache du compartiment de la pile **9** à l'arrière de la télécommande de démarrage automatique **5** avec une pièce de monnaie ou un petit tournevis à tête plate, en le tournant dans le sens inverse des aiguilles d'une montre (Fig. 8). Une fois le cache du compartiment de la pile détaché, retirez le cache du compartiment de la pile de la télécommande de démarrage automatique.
2. Retirez avec précaution l'ancienne pile en forme de pièce de monnaie et insérez la nouvelle pile en forme de pièce de monnaie dans la télécommande de démarrage automatique **5** (Fig. 8). Pour vous assurer que la nouvelle pile en forme de pièce de monnaie est correctement insérée, suivez attentivement les indications de la télécommande de démarrage automatique.
3. Une fois que la nouvelle pile en forme de pièce de monnaie a été correctement insérée, réinstallez le cache du compartiment de la pile **9** à l'arrière de la télécommande de démarrage automatique **5**, et tournez le cache du compartiment de la pile dans le sens des aiguilles d'une montre à l'aide d'une pièce de monnaie ou d'un petit tournevis à tête plate jusqu'à ce qu'il ne puisse pas aller plus loin (Fig. 8). Cela permet de s'assurer que le cache du compartiment de la pile est correctement sécurisé.

Fig. 8



Símbolos de seguridad

Las definiciones que aparecen a continuación describen el nivel de gravedad de cada palabra de señal de seguridad. Por favor, lea el manual y preste atención a estos símbolos.



Éste es el símbolo de alerta de seguridad. Se utiliza para alertarle a usted de posibles peligros de lesiones corporales. Obedezca todos los mensajes de seguridad que sigan a este símbolo para evitar posibles lesiones o muerte.

PELIGRO

PELIGRO indica una situación peligrosa que, si no se evita, causará la muerte o lesiones graves.

ADVERTENCIA

ADVERTENCIA indica una situación peligrosa que, si no se evita, podría causar la muerte o lesiones graves.

PRECAUCIÓN

PRECAUCIÓN indica una situación peligrosa que, si no se evita, podría causar lesiones leves o moderadas.

GUARDA ESTAS INSTRUCCIONES

41

Advertencias generales de seguridad para herramientas mecánicas

⚠ ADVERTENCIA Lea todas las advertencias de seguridad, instrucciones, ilustraciones y especificaciones suministradas con esta herramienta eléctrica. Si no se siguen todas las instrucciones que se indican a continuación, es posible que el resultado sea descargas eléctricas, incendio y/o lesiones graves.

GUARDE TODAS LAS ADVERTENCIAS E INSTRUCCIONES PARA REFERENCIA FUTURA

⚠ ADVERTENCIA Utilice únicamente una batería de litio de 3 V tipo botón/moneda CR2032. No use ninguna otra batería tipo botón/moneda ni otras formas de alimentación eléctrica.

⚠ ADVERTENCIA Asegúrese de que el reemplazo de la batería se realice correctamente. Hay un riesgo de explosión.

⚠ ADVERTENCIA Peligro de quemaduras químicas. Mantenga las baterías alejadas de los niños. Este producto contiene una batería de litio tipo botón/moneda. Si una batería de litio tipo botón/moneda nueva o usada se traga o entra en el cuerpo, puede causar quemaduras internas graves y puede provocar la muerte en tan poco tiempo como 2 horas. Si cree que es posible que alguien haya tragado o puesto dentro de cualquier parte del cuerpo una batería, obtenga atención médica de inmediato.



⚠ ADVERTENCIA Cierre siempre de manera firme y completa la cubierta del compartimento de la batería. Si la cubierta del compartimento de la batería no se cierra firmemente, deje de usar el producto, retire la batería y manténgala alejada de los niños.



⚠ ADVERTENCIA Cuando deseche baterías, aisle los terminales “+” y “-” con cinta aislante. Cuando las baterías de litio se desechan incorrectamente, es posible que cortocircuiten, lo cual hará que se calienten, revienten o se prendan fuego.

⚠ ADVERTENCIA No deseche nunca las baterías en un fuego ni las exponga a calor elevado. Es posible que las baterías exploten.

⚠ ADVERTENCIA No intente recargar las baterías y no cortocircuite las baterías. Es posible que las baterías tengan fugas, exploten, se incendien y causen lesiones corporales.

⚠ ADVERTENCIA Siga todas las instrucciones y advertencias suministradas por el fabricante de su dispositivo Bluetooth®. Si no se siguen los procedimientos recomendados, el resultado podría ser lesiones corporales o daños materiales.



Precaución de la FCC

El fabricante no es responsable de la interferencia radioeléctrica causada por modificaciones no autorizadas a este equipo. Dichas modificaciones podrían anular la autoridad del usuario para utilizar el equipo.

Este dispositivo cumple con la Parte 15 de las Reglas de la FCC. Su funcionamiento está sujeto a las dos condiciones siguientes:

- 1) Este dispositivo no podrá causar interferencia perjudicial y
- 2) Este dispositivo debe aceptar cualquier interferencia recibida, incluyendo interferencia que pueda causar un funcionamiento no deseado.

GUARDA ESTAS INSTRUCCIONES

43





¡NOTA! Este equipo ha sido sometido a pruebas y se ha comprobado que cumple con los límites para dispositivos digitales de Clase B, conforme a la Parte 15 de las reglas de la FCC. Estos límites están diseñados para proporcionar una protección razonable contra la interferencia perjudicial en una instalación residencial. Este equipo genera, utiliza y puede emitir energía de radiofrecuencia y, si no se instala y utiliza de acuerdo con las instrucciones, es posible que cause interferencia perjudicial para las radiocomunicaciones. Sin embargo, no hay garantía de que no vaya a ocurrir interferencia en una instalación específica. Si este equipo causa interferencia perjudicial para la recepción de radio o televisión, lo cual se puede determinar apagando y encendiendo el equipo, se insta al usuario a intentar corregir la interferencia mediante una o más de las siguientes medidas:

- Reoriente o reubique la antena receptora.
- Aumente la separación entre el equipo y el receptor.
- Conecte el equipo en un tomacorriente de un circuito distinto al circuito al cual el receptor está conectado.
- Consulte al distribuidor o a un técnico de radio/TV que tenga experiencia para obtener ayuda.



Industry Canada

Este dispositivo cumple con el estándar o los estándares RSS exentos de licencia de Industry Canada. Su utilización está sujeta a las dos condiciones siguientes:

- (1) este dispositivo no podrá causar interferencia y
- (2) este dispositivo debe aceptar cualquier interferencia, incluyendo interferencia que pueda causar un funcionamiento no deseado del dispositivo.





Uso previsto

Este sistema de autoarranque es un aditamento que es compatible con los extractores de polvo Bosch. Está diseñado para arrancar y parar automáticamente el extractor de polvo conectado al encender/apagar la herramienta eléctrica inalámbrica.

Al encender/apagar la herramienta eléctrica inalámbrica, el sensor de detección de vibraciones ubicado dentro del control remoto de autoarranque GCT30-42 transferirá una señal de arranque/parada al receptor GCA30-42. Cuando el receptor GCA30-42 reciba la señal de arranque/parada, el extractor de polvo correspondiente arrancará/se detendrá automáticamente.

Para obtener más información, consulte las instrucciones de utilización del control remoto de autoarranque GCT30-42 o el extractor de polvo utilizado.

GUARDA ESTAS INSTRUCCIONES

Especificaciones

Receptor	GCA30-42
Temperatura de funcionamiento	-4...+122°F (-20...+50°C)
Temperatura de almacenamiento	-4...+149°F (-20...+65°C)
Dimensiones (longitud x anchura x altura)	3,58 x 3,11 x 4,76 pulgadas
Transferencia de datos	
Bluetooth	Bluetooth® 4.2 (baja energía)
Intervalo de frecuencia utilizado	2402-2480 MHz
Potencia de salida	< 10 mW

Especificaciones

Control remoto de autoarranque	GCT30-42
Temperatura de funcionamiento	-4...+122°F (-20...+50°C)
Temperatura de almacenamiento	-4...+165°F (-20...+50°C)
Dimensiones ^{A)}	1,69 x 0,70 x 1,65 pulgadas
Longitud de la banda de sujeción	9,44 pulgadas
Clase de protección	IP54
Transferencia de datos	
Bluetooth	Bluetooth® 4.2 (baja energía)
Intervalo de frecuencia utilizado	2402-2480 MHz
Potencia de salida	< 10 mW
Fuente de energía	
Batería tipo moneda	Batería de litio de 3 V, CR 2032

A) Sin banda de sujeción

Los valores pueden variar dependiendo del producto y están sujetos a la aplicación y las condiciones ambientales. Para obtener más información, visite www.bosch-professional.com/wac.

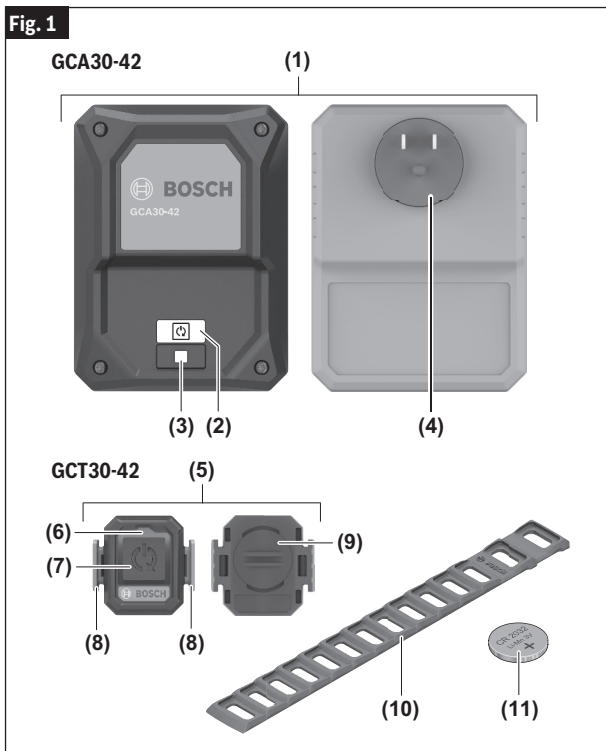
Símbolos

Importante: Es posible que algunos de los símbolos siguientes se usen en su herramienta. Por favor, estúdielos y aprenda su significado. La interpretación adecuada de estos símbolos le permitirá utilizar la herramienta mejor y con más seguridad.

Símbolo	Désignación / Explicación
V	Volt (tensión)
kg	Kilogramo (peso)
min	Minuto (tiempo)
s	Segundo (tiempo)
n_0	Velocidad sin carga (velocidad rotacional sin carga)
n	Velocidad nominal (máxima velocidad obtenible)
0	Posición "off" (velocidad cero, par motor cero...)
➔	Flecha (Acción en la dirección de la flecha)
~	Corriente alterna (tipo o una característica de corriente)
≡	Corriente continua (tipo o una característica de corriente)

Familiarización con su sistema de autoarranque GCA30-42K

Fig. 1



Familiarización con su sistema de autoarranque GCA30-42K

Componentes del GCA30-42:

- 1 Receptor
- 2 Indicador de estado con símbolo de autoarranque (interfaz del usuario)
- 3 Botón (interfaz del usuario)
- 4 Enchufe

Componentes del GCT30-42:

- 5 Control remoto de autoarranque
- 6 Indicador de estado LED (interfaz del usuario)
- 7 Botón de arranque/parada (interfaz del usuario)
- 8 Gancho de sujeción para la banda de sujeción
- 9 Cubierta del compartimiento de la batería
- 10 Banda de sujeción
- 11 Batería tipo moneda de ion Li de 3 V CR2032*

*Incluida en el GCT30-42



Ensamblaje

Montaje del control remoto de autoarranque

Para montar el control remoto de autoarranque:

1. Sujete un extremo de la banda de sujeción **10** a uno de los dos ganchos de sujeción **8** (Fig. 2).
2. Sujete firmemente el control remoto de autoarranque **5** a la herramienta inalámbrica. Para hacer esto, apriete la banda de sujeción **10** y acople el extremo libre en el segundo gancho de sujeción **8** (Fig. 3). Si es necesario, corte la banda de sujeción para que tenga la longitud correcta.

Cuando instale el control remoto de autoarranque en la herramienta inalámbrica, asegúrese de que se coloque en un área que genere suficiente ventilación durante la utilización y que esté firmemente ajustado sobre la herramienta.

Nota: No instale nunca el control remoto de autoarranque en lugares que se requieran para operar la herramienta inalámbrica (por ejemplo, superficies de agarre, interruptores, etc.).



Fig. 2

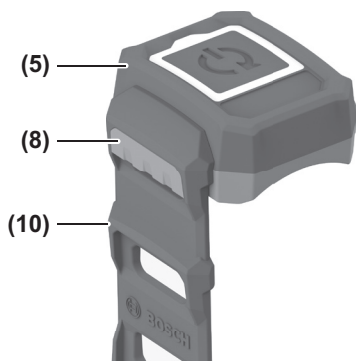
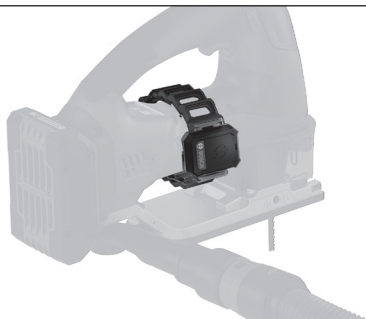


Fig. 3



Instrucciones de funcionamiento

Establecimiento de la conexión

1. Asegúrese de que el control remoto de autoarranque **5** esté dentro del alcance del receptor **1**.
2. Inserte el enchufe del extractor de polvo en la fuente de alimentación primaria.
3. Ponga el interruptor del extractor de polvo en el modo de activación por herramienta eléctrica (Fig. 4).
4. Inserte el enchufe **4** del receptor **1** en el tomacorriente ubicado en el extractor de polvo. El modo de emparejamiento comenzará automáticamente. El indicador de estado con el símbolo de autoarranque **2** parpadeará en azul (Fig. 5).
5. Presione el botón de arranque/parada **7** ubicado en el control remoto de autoarranque **5** hasta que el indicador de estado LED **6** parpadee en azul dos veces. El indicador de estado LED **6** ubicado en el control remoto de autoarranque **5** parpadeará brevemente en azul (Fig. 6).



52

Fig. 5

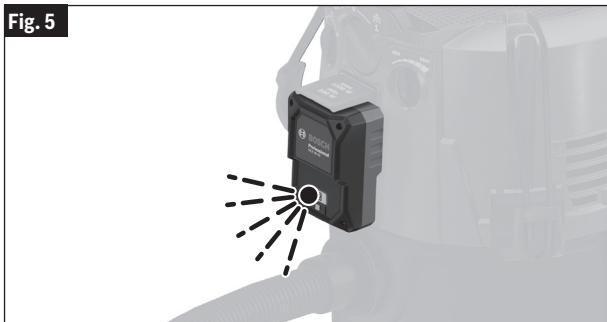
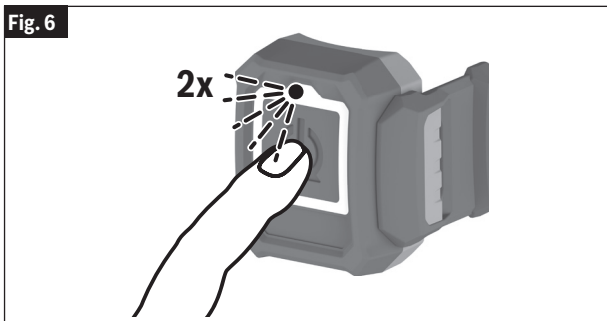
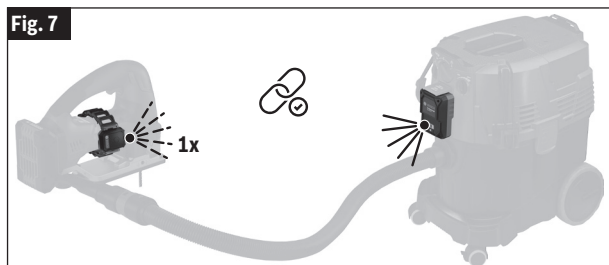


Fig. 6



Conexión establecida

- Cuando la conexión se haya establecido exitosamente, el indicador de estado con el símbolo de autoarranque **2** ubicado en el receptor **1** se iluminará en verde.
- El indicador de estado LED **6** ubicado en el control remoto de autoarranque **5** parpadeará en verde.



Reemplazo de la batería

Cuando cambie la batería tipo moneda, se aplicará lo siguiente:

- Si el control remoto de autoarranque **5** estaba conectado al receptor **1** antes de cambiar la batería tipo moneda, la conexión se restablecerá automáticamente después de cambiar la batería tipo moneda.
- Si los módulos no estaban conectados antes de reemplazar la batería tipo moneda, será necesario establecer la conexión.

Después de un reajuste, el control remoto de autoarranque y el receptor deben ser reconectados.

GCA30-42: Indicador de estado (2)	Significado/causa	Solución
Azul	<ul style="list-style-type: none"> - La conexión está establecida o - Se están recibiendo datos 	
Verde	<ul style="list-style-type: none"> - Conexión establecida y activa 	
Yellow	<ul style="list-style-type: none"> - Conexión interrumpida 	<ul style="list-style-type: none"> - Mueva el control remoto de autoarranque más cerca del receptor - Inicie la detección de vibraciones o presione el botón de arranque/parada 7
GCT30-42: Indicador de estado LED (interfaz del usuario) (6)	Significado/causa	Solución
Azul	<ul style="list-style-type: none"> - La conexión está establecida o - Se están transmitiendo datos 	
Verde	<ul style="list-style-type: none"> - La conexión está establecida - Batería tipo moneda suficientemente cargada 	



Amarillo	– Batería tipo moneda casi descargada	Cambie pronto la batería tipo moneda
Rojo	– Conexión no establecida o – Batería tipo moneda descargada	– Reinicie el intento de conexión o – Cambie la batería tipo moneda

Restablecimiento a la configuración de fábrica

- **Receptor GCA30-42:** Presione y mantenga presionado el botón **3** hasta que el indicador de estado con el símbolo de autoarranque **2** parpadee en azul cuatro veces en sucesión rápida.
- **Control remoto de autoarranque GCT30-42:** Presione y mantenga presionado el botón de arranque/parada **7** hasta que el indicador de estado LED **6** parpadee en azul cuatro veces en sucesión rápida.

Detección de vibraciones

El control de autoarranque **5** está equipado con detección de vibraciones. Una vez que la herramienta inalámbrica utilizada esté activada, el control remoto de autoarranque **5** detectará las vibraciones de la herramienta inalámbrica activada y encenderá automáticamente el extractor de polvo.

- Si la herramienta inalámbrica se apaga, el extractor de polvo se apagará automáticamente.

Nota: Después de apagar la herramienta, para vaciar la manguera, el extractor de polvo se apaga 10-15 segundos más tarde.





Arranque/parada automáticos del extractor de polvo

- Una vez que el enchufe del extractor de polvo haya sido insertado en la fuente de alimentación primaria, el interruptor del extractor de polvo haya sido ajustado al modo de activación por herramienta eléctrica, el enchufe **4** del receptor **1** haya sido insertado en el tomacorriente del extractor de polvo y tanto el control remoto de autoarranque **5** como el receptor **1** hayan sido emparejados exitosamente, el sistema de autoarranque está listo para utilizarse.
- Asegúrese de que el control remoto de autoarranque **5** esté al ras y firmemente ajustado contra la superficie de montaje de la herramienta inalámbrica, ajustando la posición de la banda de sujeción **10** suministrada.
- Inserte la manguera de extracción en la conexión para extractor de polvo de la herramienta inalámbrica.
- Una vez que la herramienta eléctrica inalámbrica esté encendida/apagada, se enviará una señal de arranque/parada desde el control remoto de autoarranque **5** al receptor **1** y el extractor de polvo correspondiente se encenderá/apagará.

Utilización del modo manual

- Presione brevemente el botón de arranque/parada **7** ubicado en el control remoto de autoarranque. El extractor de polvo se encenderá.
- Para apagar el extractor de polvo, presione brevemente de nuevo el botón de arranque/parada **7** ubicado en el control remoto de autoarranque.

Nota: Si el extractor de polvo se apaga utilizando el botón de arranque/parada **7** ubicado en el control remoto de autoarranque, el extractor de polvo se encenderá automáticamente una vez que el control remoto de autoarranque detecte las vibraciones de la herramienta inalámbrica activada.





Mantenimiento

Retire toda la suciedad y todos los residuos visibles utilizando un cepillo o un paño húmedo. No use detergentes ni solventes.

Reemplazo de la batería tipo moneda

⚠ ADVERTENCIA La batería tipo moneda se debe reemplazar siempre por una batería tipo moneda del mismo tipo. Hay un riesgo de explosión si se utiliza un tipo de batería tipo moneda que no sea el que se recomienda.

Remoción de la batería tipo moneda

⚠ ADVERTENCIA Es posible que la batería tipo moneda agotada tenga fugas y dañe al producto o cause lesiones corporales.

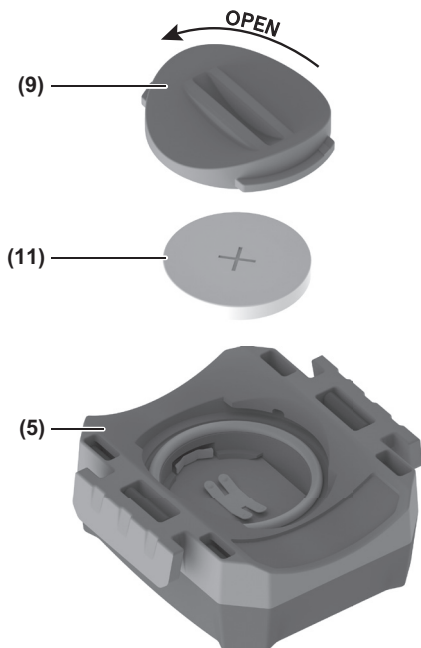
1. Abra la cubierta del compartimiento de la batería **9** que se encuentra en la parte trasera del control remoto de autoarranque **5** con una moneda o un destornillador pequeño de cabeza plana girando en sentido contrario al de las agujas del reloj (Fig. 8). Una vez que la cubierta del compartimiento de la batería esté floja, retire dicha cubierta del control remoto de autoarranque.
2. Retire cuidadosamente la batería tipo moneda más vieja e inserte la batería tipo moneda nueva en el control remoto de autoarranque **5** (Fig. 8). Para asegurarse de que la batería tipo moneda nueva se inserte correctamente, siga detenidamente las marcas ubicadas en el control remoto de autoarranque.
3. Una vez que la batería tipo moneda nueva haya sido insertada correctamente, reinstale la cubierta del compartimiento de la batería **9** sobre la

58



parte trasera del control remoto de autoarranque **5** y gire la cubierta del compartimiento de la batería en el sentido de las agujas del reloj utilizando una moneda o un destornillador pequeño de cabeza plana hasta que ya no pueda avanzar más (Fig. 8). Esto garantizará que la cubierta del compartimiento de la batería esté sujeta adecuadamente.

Fig. 8



LIMITED WARRANTY

For details on the terms of the limited warranty for this product, go to <https://rb-pt.io/PowerToolWarranty> or call 1-877-BOSCH99.

GARANTIE LIMITÉE

Pour tous détails sur les conditions de la garantie limitée pour ce produit, allez sur le site <https://rb-pt.io/PowerToolWarranty> ou téléphonez au 1-877-BOSCH99

GARANTÍA LIMITADA

Para obtener detalles sobre los términos de la garantía limitada de este producto, visite <https://rb-pt.io/PowerToolWarranty> o llame al 1-877-BOSCH99



BOSCH

© Robert Bosch Tool Corporation
1800 W. Central Road
Mt. Prospect, IL 60056-2230

160992A8R3 10/2023



1 6 0 9 9 2 A 8 R 3