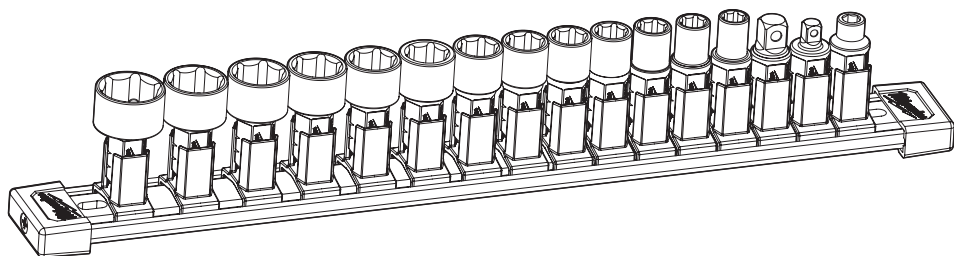
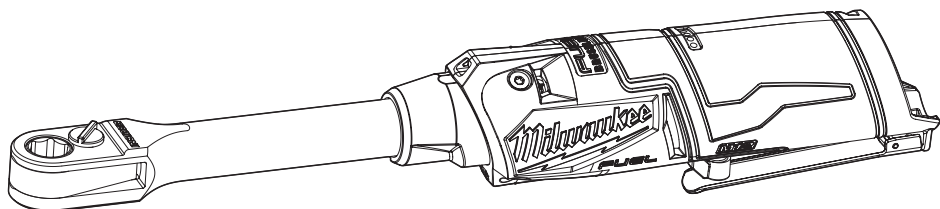




OPERATOR'S MANUAL
MANUEL de L'UTILISATEUR
MANUAL del OPERADOR



Cat. No. / No de Cat.
3050-20

M12 FUEL™ INSIDER™ EXTENDED REACH BOX RATCHET
CLIQUET CARRÉ À PORTÉE ÉTENDUE INSIDER™
DE M12 FUEL™

TRINQUETE CUADRADO DE ALCANCE EXTENDIDO INSIDER™
DE M12 FUEL™



WARNING To reduce the risk of injury, user must read and understand operator's manual.

AVERTISSEMENT Afin de réduire le risque de blessures, l'utilisateur doit lire et bien comprendre le manuel.

ADVERTENCIA Para reducir el riesgo de lesiones, el usuario debe leer y entender el manual.

GENERAL POWER TOOL SAFETY WARNINGS

⚠WARNING Read all safety warnings, instructions, illustrations and specifications provided with this power tool. Failure to follow all instructions listed below may result in electric shock, fire and/or serious injury. **Save all warnings and instructions for future reference.** The term "power tool" in the warnings refers to your mains-operated (corded) power tool or battery-operated (cordless) power tool.

WORK AREA SAFETY

- **Keep work area clean and well lit.** Cluttered or dark areas invite accidents.
- **Do not operate power tools in explosive atmospheres,** such as in the presence of flammable liquids, gases or dust. Power tools create sparks which may ignite the dust or fumes.
- **Keep children and bystanders away while operating a power tool.** Distractions can cause you to lose control.

ELECTRICAL SAFETY

- **Power tool plugs must match the outlet.** Never modify the plug in any way. Do not use any adapter plugs with earthed (grounded) power tools. Unmodified plugs and matching outlets will reduce risk of electric shock.
- **Avoid body contact with earthed or grounded surfaces,** such as pipes, radiators, ranges and refrigerators. There is an increased risk of electric shock if your body is earthed or grounded.
- **Do not expose power tools to rain or wet conditions.** Water entering a power tool will increase the risk of electric shock.
- **Do not abuse the cord.** Never use the cord for carrying, pulling or unplugging the power tool. Keep cord away from heat, oil, sharp edges or moving parts. Damaged or entangled cords increase the risk of electric shock.
- **When operating a power tool outdoors, use an extension cord suitable for outdoor use.** Use of a cord suitable for outdoor use reduces the risk of electric shock.
- **If operating a power tool in a damp location is unavoidable, use a ground fault circuit interrupter (GFCI) protected supply.** Use of an GFCI reduces the risk of electric shock.

PERSONAL SAFETY

- **Stay alert, watch what you are doing and use common sense when operating a power tool. Do not use a power tool while you are tired or under the influence of drugs, alcohol or medication.** A moment of inattention while operating power tools may result in serious personal injury.
- **Use personal protective equipment. Always wear eye protection.** Protective equipment such as a dust mask, non-skid safety shoes, hard hat or hearing protection used for appropriate conditions will reduce personal injuries.
- **Prevent unintentional starting. Ensure the switch is in the off-position before connecting to power source and/or battery pack, picking up or carrying the tool.** Carrying power tools with your finger on the switch or energizing power tools that have the switch on invites accidents.
- **Remove any adjusting key or wrench before turning the power tool on.** A wrench or a key left attached to a rotating part of the power tool may result in personal injury.

- **Do not overreach. Keep proper footing and balance at all times.** This enables better control of the power tool in unexpected situations.
- **Dress properly. Do not wear loose clothing or jewelry. Keep your hair and clothing away from moving parts.** Loose clothes, jewelry or long hair can be caught in moving parts.
- **If devices are provided for the connection of dust extraction and collection facilities, ensure these are connected and properly used.** Use of dust collection can reduce dust-related hazards.
- **Do not let familiarity gained from frequent use of tools allow you to become complacent and ignore tool safety principles.** A careless action can cause severe injury within a fraction of a second.

POWER TOOL USE AND CARE

- **Do not force the power tool. Use the correct power tool for your application.** The correct power tool will do the job better and safer at the rate for which it was designed.
 - **Do not use the power tool if the switch does not turn it on and off.** Any power tool that cannot be controlled with the switch is dangerous and must be repaired.
 - **Disconnect the plug from the power source and/or remove the battery pack, if detachable, from the power tool before making any adjustments, changing accessories, or storing power tools.** Such preventive safety measures reduce the risk of starting the power tool accidentally.
 - **Store idle power tools out of the reach of children and do not allow persons unfamiliar with the power tool or these instructions to operate the power tool.** Power tools are dangerous in the hands of untrained users.
 - **Maintain power tools and accessories. Check for misalignment or binding of moving parts, breakage of parts and any other condition that may affect the power tool's operation. If damaged, have the power tool repaired before use.** Many accidents are caused by poorly maintained power tools.
 - **Keep cutting tools sharp and clean.** Properly maintained cutting tools with sharp cutting edges are less likely to bind and are easier to control.
 - **Use the power tool, accessories and tool bits etc. in accordance with these instructions, taking into account the working conditions and the work to be performed.** Use of the power tool for operations different from those intended could result in a hazardous situation.
 - **Keep handles and grasping surfaces dry, clean and free from oil and grease.** Slippery handles and grasping surfaces do not allow for safe handling and control of the tool in unexpected situations.
- ### BATTERY TOOL USE AND CARE
- **Recharge only with the charger specified by the manufacturer.** A charger that is suitable for one type of battery pack may create a risk of fire when used with another battery pack.
 - **Use power tools only with specifically designated battery packs.** Use of any other battery packs may create a risk of injury and fire.
 - **When battery pack is not in use, keep it away from other metal objects, like paper clips, coins, keys, nails, screws or other small metal objects, that can make a connection from one terminal to another.** Shorting the battery terminals together may cause burns or a fire.

•Under abusive conditions, liquid may be ejected from the battery; avoid contact. If contact accidentally occurs, flush with water. If liquid contacts eyes, additionally seek medical help. Liquid ejected from the battery may cause irritation or burns.

•Do not use a battery pack or tool that is damaged or modified. Damaged or modified batteries may exhibit unpredictable behavior resulting in fire, explosion or risk of injury.

•Do not expose a battery pack or tool to fire or excessive temperature. Exposure to fire or temperature above 265°F (130°C) may cause explosion.

•Follow all charging instructions and do not charge the battery pack or tool outside the temperature range specified in the instructions. Charging improperly or at temperatures outside the specified range may damage the battery and increase the risk of fire.

SERVICE

•Have your power tool serviced by a qualified repair person using only identical replacement parts. This will ensure that the safety of the power tool is maintained.

•Never service damaged battery packs. Service of battery packs should only be performed by the manufacturer or authorized service providers.

SPECIFIC SAFETY RULES FOR RATCHETS

•Hold the power tool by insulated gripping surfaces, when performing an operation where the fastener may contact hidden wiring. Fasteners contacting a "live" wire may make exposed metal parts of the power tool "live" and could give the operator an electric shock.

•**AWARNING** To reduce the risk of injury, when working in dusty situations, wear appropriate respiratory protection or use an OSHA compliant dust extraction solution.

•Always use common sense and be cautious when using tools. It is not possible to anticipate every situation that could result in a dangerous outcome. Do not use this tool if you do not understand these operating instructions or you feel the work is beyond your capability; contact Milwaukee Tool or a trained professional for additional information or training.

•Maintain labels and nameplates. These carry important information. If unreadable or missing, contact a MILWAUKEE service facility for a free replacement.

•**AWARNING** Some dust created by power sanding, sawing, grinding, drilling, and other construction activities contains chemicals known to cause cancer, birth defects or other reproductive harm. Some examples of these chemicals are:

- lead from lead-based paint
- crystalline silica from bricks and cement and other masonry products, and
- arsenic and chromium from chemically-treated lumber.

Your risk from these exposures varies, depending on how often you do this type of work. To reduce your exposure to these chemicals: work in a well ventilated area, and work with approved safety equipment, such as those dust masks that are specially designed to filter out microscopic particles.

SPECIFICATIONS

Cat. No.....	3050-20
Volts.....	12 DC
Battery Type.....	M12™
Charger Type.....	M12™
RPM.....	0 - 350
Max Torque.....	.60 ft-lbs
Recommended Ambient Operating Temperature.....	0°F to 125°F

SYMBOLGY



Volts



Direct Current

n_0 XXXX min⁻¹ No Load Revolutions per Minute (RPM)



Lock



Unlock

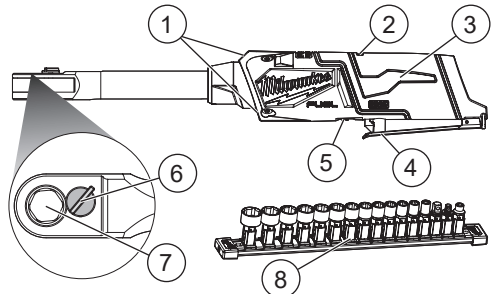


Read Operator's Manual



UL Listing for Canada and U.S.

FUNCTIONAL DESCRIPTION



1. LED
2. Fuel gauge
3. Handle
4. Paddle switch
5. Lock switch

6. Forward/Reverse toggle
7. Spline
8. Metric sockets and anvils

ASSEMBLY

WARNING Recharge only with the charger specified for the battery. For specific charging instructions, read the operator's manual supplied with your charger and battery.

Removing/Inserting the Battery

To **remove** the battery, push in the release buttons and pull the battery pack away from the tool.

WARNING Always remove the battery pack any time the tool is not in use.

To **insert** the battery, slide the pack into the body of the tool. Make sure it latches securely into place.

WARNING Only use accessories specifically recommended for this tool. Others may be hazardous.

Only use MILWAUKEE-designed sockets and anvil adapters. Other sockets and anvil adapters could shatter or break, causing injury.

Attaching/Removing Sockets and Adapters

WARNING! Remove battery to avoid starting the tool.

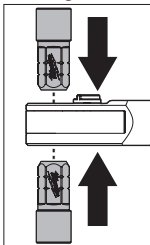
• To **insert** the adapter into the ratchet, line up the adapter with the spline opening on the ratchet, and push firmly until they click together. Insert from the bottom or top of the tool, as shown. Ensure the adapter is secured in place before use. Some MILWAUKEE sockets can be used without an anvil adapter.

• To **attach** a socket or accessory, press it firmly into place on the adapter.

• To **remove** the socket or accessory, pull firmly away from the tool.

• To **remove** the adapter, pull the adapter out of the ratchet spline.

NOTE: Choose the correct accessory for the job.



OPERATION

WARNING To reduce the risk of injury, always wear proper eye protection marked to comply with ANSI Z87.1.

When working in dusty situations, wear appropriate respiratory protection or use an OSHA compliant dust extraction solution.

Fuel Gauge

To determine the amount of charge left in the battery, turn the tool **ON**. The Fuel Gauge will light up for 2-3 seconds. When less than 10% of charge is left, 1 light on the fuel gauge will flash 4 times.

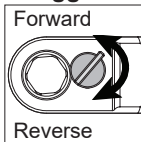
To signal the end of charge, 1 light on the fuel gauge will flash 8 times and the tool will not run. Charge the battery pack.

If the battery becomes too hot, the fuel gauge lights will flash and the tool will not run. Allow the battery to cool down.



Using the Forward/Reverse Toggle

For **forward** (clockwise) rotation, rotate the forward/reverse toggle counterclockwise. Check the direction of rotation before use.

For **reverse** (counterclockwise) rotation, rotate the forward/reverse toggle clockwise. Check the direction of rotation before use.



Lock Switch

To **lock** the paddle switch, slide the lock switch to the locked  position. To **unlock** the paddle switch, slide the lock switch to the unlocked  position. The paddle switch will not work when the lock switch is in the locked position.

Always lock the paddle switch or remove the battery pack any time the tool is not in use.

Starting, Stopping and Controlling Speed

1. To **start** the tool, grasp the handle(s) firmly and pull the trigger.

NOTE: An LED is turned on when the trigger is pulled and will go off shortly after the trigger is released.

2. To **vary** the speed, increase or decrease the pressure on the trigger. The further the trigger is pulled, the greater the speed.

3. To **stop** the tool, release the trigger. Ensure the tool has come to a complete stop before laying the tool down.

MAINTENANCE

⚠WARNING To reduce the risk of injury, always unplug the charger and remove the battery pack from the charger or tool before performing any maintenance. Never disassemble the battery pack, charger, or tool, except as provided in these instructions. Contact a MILWAUKEE service facility for all other repairs.

Maintaining Tool

Keep your tool, battery pack and charger in good repair by adopting a regular maintenance program. Inspect your tool for issues such as undue noise, misalignment or binding of moving parts, breakage of parts, or any other condition that may affect the tool operation. Return the tool, battery pack, and charger to a MILWAUKEE service facility for repair. After six months to one year, depending on use, return the tool, battery pack and charger to a MILWAUKEE service facility for inspection.

If the tool does not start or operate at full power with a fully charged battery pack, clean the contacts on the battery pack. If the tool still does not work properly, return the tool, charger and battery pack, to a MILWAUKEE service facility for repairs.

⚠WARNING To reduce the risk of personal injury and damage, never immerse your tool, battery pack or charger in liquid or allow a liquid to flow inside them.

Cleaning

Clean dust and debris from any vents. Keep tool clean, dry and free of oil or grease. Use only mild soap and a damp cloth to clean, since certain cleaning agents and solvents are harmful to plastics and other insulated parts. Some of these include gasoline, turpentine, lacquer thinner, paint thinner, chlorinated cleaning solvents, ammonia and household detergents containing ammonia. Never use flammable or combustible solvents around tools.

Repairs

For repairs, return the tool, battery pack and charger to the nearest authorized service center.

ACCESSORIES

⚠WARNING Use only recommended accessories. Others may be hazardous.

For a complete listing of accessories, go online to www.milwaukeetool.com or contact a distributor.

SERVICE - UNITED STATES

1-800-SAWDUST (1.800.729.3878)

Monday-Friday, 7:00 AM - 6:30 PM CST

or visit www.milwaukeetool.com

Contact Corporate After Sales Service Technical Support with technical, service/repair, or warranty questions.

Email: metproductsupport@milwaukeetool.com

Become a Heavy Duty Club Member at www.milwaukeetool.com to receive important notifications regarding your tool purchases.

SERVICE - CANADA

Milwaukee Tool (Canada) Ltd

1.877.948.2360

Monday-Friday, 7:00 AM - 4:30 PM CST

or visit www.milwaukeetool.ca

LIMITED WARRANTY USA & CANADA

This MILWAUKEE power tool* is warranted to the original purchaser from an authorized MILWAUKEE distributor only to be free from defects in material and workmanship. Subject to certain exceptions, MILWAUKEE will repair or replace any part on this power tool which, after examination, is determined by MILWAUKEE to be defective in material or workmanship for a period of five (5) years after the date of purchase unless otherwise noted. Return of the power tool to a MILWAUKEE factory Service Center location or MILWAUKEE Authorized Service Station, freight prepaid and insured, is required. A copy of the proof of purchase should be included with the return product. This warranty does not apply to damage that MILWAUKEE determines to be from repairs made or attempted by anyone other than MILWAUKEE authorized personnel, misuse, alterations, abuse, normal wear and tear, lack of maintenance, or accidents.

Normal Wear: Many power tools need periodic parts replacement and service to achieve best performance. This warranty does not cover repair when normal use has exhausted the life of a part including, but not limited to, chucks, brushes, cords, saw shoes, blade clamps, o-rings, seals, bumpers, driver blades, pistons, strikers, lifters, and bumper cover washers.

*This warranty does not cover battery packs or all power tools. Refer to the separate and distinct warranties available for those products. The warranty period for the LED in the LED Work Light (49-24-0171) and the LED Upgrade Bulb (49-81-0090) is the lifetime of the product subject to the limitations above. If during normal use the LED or LED Upgrade Bulb fails, the part will be replaced free of charge.

Warranty Registration is not necessary to obtain the applicable warranty on a MILWAUKEE power tool product. The manufacturing date of the product will be used to determine the warranty period if no proof of purchase is provided at the time warranty service is requested.

ACCEPTANCE OF THE EXCLUSIVE REPAIR AND REPLACEMENT REMEDIES DESCRIBED HEREIN IS A CONDITION OF THE CONTRACT FOR THE PURCHASE OF EVERY MILWAUKEE PRODUCT. IF YOU DO NOT AGREE TO THIS CONDITION, YOU SHOULD NOT PURCHASE THE PRODUCT. IN NO EVENT SHALL MILWAUKEE BE LIABLE FOR ANY INCIDENTAL, SPECIAL, CONSEQUENTIAL, OR PUNITIVE DAMAGES, OR FOR ANY COSTS, ATTORNEY FEES, EXPENSES, LOSSES OR DELAYS ALLEGED TO BE AS A CONSEQUENCE OF ANY DAMAGE TO, FAILURE OF, OR DEFECT IN ANY PRODUCT INCLUDING, BUT NOT LIMITED TO, ANY CLAIMS FOR LOSS OF PROFITS. SOME STATES DO NOT ALLOW THE EXCLUSION OR LIMITATION OF INCIDENTAL OR CONSEQUENTIAL DAMAGES, SO THE ABOVE LIMITATION OR EXCLUSION MAY NOT APPLY TO YOU. THIS WARRANTY IS EXCLUSIVE AND IN LIEU OF ALL OTHER EXPRESS WARRANTIES, WRITTEN OR ORAL, TO THE EXTENT PERMITTED BY LAW. MILWAUKEE DISCLAIMS ANY IMPLIED WARRANTIES, INCLUDING WITHOUT LIMITATION ANY IMPLIED WARRANTY OF MERCHANTABILITY OR FITNESS FOR A PARTICULAR USE OR PURPOSE. TO THE EXTENT SUCH DISCLAIMER IS NOT PERMITTED BY LAW, SUCH IMPLIED WARRANTIES ARE LIMITED TO THE DURATION OF THE APPLICABLE EXPRESS WARRANTY AS DESCRIBED ABOVE. SOME STATES DO NOT ALLOW LIMITATIONS ON HOW LONG AN IMPLIED WARRANTY LASTS, SO THE ABOVE LIMITATION MAY NOT APPLY TO YOU. THIS WARRANTY GIVES YOU SPECIFIC LEGAL RIGHTS, AND YOU MAY ALSO HAVE OTHER RIGHTS WHICH VARY FROM STATE TO STATE.

This warranty applies to product sold in the U.S.A. and Canada only. Please consult the 'Service Center Search' in the Parts & Service section of MILWAUKEE's website www.milwaukeetool.com or call 1.800.SAWDUST (1.800.729.3878) to locate your nearest service facility for warranty and non-warranty service on a MILWAUKEE power tool.

LIMITED WARRANTY USA & CANADA

Every MILWAUKEE Insider™ Box Ratchet Socket* (see list on www.milwaukeetool.com) is guaranteed to be free from defects in material and workmanship during the useful life of the product. MILWAUKEE will replace any Insider™ Box Ratchet Socket that is determined by MILWAUKEE to be defective in material or workmanship during the useful lifetime of the Insider™ Box Ratchet Socket. Damage caused by ordinary wear and tear, misuse, alterations, abuse, lack of maintenance, or accidents is not covered by this guarantee. Please call 1.800.SAWDUST (1.800.729.3878) for details on how to obtain a replacement or visit Insider™ Box Ratchet Socket Warranty with the product description, a photograph of the product, and your name and shipping address.

*This warranty does not cover Insider™ Box Ratchet adapters. ACCEPTANCE OF THE EXCLUSIVE REPLACEMENT REMEDIES DESCRIBED HEREIN IS A CONDITION OF THE CONTRACT FOR THE PURCHASE OF EVERY MILWAUKEE PRODUCT. MILWAUKEE SHALL NOT BE LIABLE FOR COSTS OR DAMAGES IN EXCESS OF THE PURCHASE PRICE PAID BY THE ORIGINAL RETAIL PURCHASER FOR THE MILWAUKEE PRODUCT(S) IN QUESTION. IF YOU DO NOT AGREE TO THIS CONDITION, YOU SHOULD NOT PURCHASE THE PRODUCT. IN NO EVENT SHALL MILWAUKEE BE LIABLE FOR ANY INCIDENTAL, SPECIAL, CONSEQUENTIAL OR PUNITIVE DAMAGES, OR FOR ANY COSTS, ATTORNEY FEES, EXPENSES, LOSSES OR DELAYS ALLEGED TO BE AS A CONSEQUENCE OF ANY DAMAGE TO, FAILURE OF, OR DEFECT IN ANY PRODUCT INCLUDING, BUT NOT LIMITED TO, ANY CLAIMS FOR LOSS OF PROFITS. SOME STATES DO NOT ALLOW THE EXCLUSION OR LIMITATION OF INCIDENTAL, PUNITIVE, OR CONSEQUENTIAL DAMAGES, SO THE ABOVE LIMITATION OR EXCLUSION MAY NOT APPLY TO YOU. THIS WARRANTY GIVES YOU SPECIFIC LEGAL RIGHTS THAT MAY VARY FROM STATE TO STATE.

This warranty applies to product sold in the U.S.A. and Canada only.

RÈGLES DE SÉCURITÉ GÉNÉRALES RELATIVES AUX OUTILS ÉLECTRIQUES

⚠ AVERTISSEMENT Lire toutes les consignes de sécurité, consignes, illustrations et spécifications fournies avec cet outil électrique. Ne pas suivre l'ensemble des règles et instructions peut entraîner une électrocution, un incendie ou des blessures graves. **Conservé les règles et les instructions à des fins de référence ultérieure.** Le terme «outil électrique» figurant dans les avertissements ci-dessous renvoie à l'outil électrique à alimentation par le réseau (à cordon) ou par batterie (sans fil).

SÉCURITÉ DU LIEU DE TRAVAIL

- **Veillez à ce que l'aire de travail soit propre et bien éclairée.** Le désordre et le manque de lumière favorisent les accidents.
- **Ne pas utiliser d'outils électriques dans des atmosphères explosives, par exemple en présence de liquides, gaz ou poussières inflammables.** Les outils électriques produisent des étincelles risquant d'enflammer les poussières ou vapeurs.
- **S'assurer que les enfants et les curieux se trouvent à une bonne distance au moment d'utiliser un outil électrique.** Les distractions peuvent causer une perte de contrôle.

SÉCURITÉ ÉLECTRIQUE

- **Les fiches des outils électriques doivent correspondre à la prise secteur utilisée. Ne jamais modifier la fiche, de quelque façon que ce soit. Ne jamais utiliser d'adaptateurs de fiche avec des outils mis à la terre.** Les fiches et prises non modifiées réduisent le risque de choc électrique.
- **Éviter tout contact avec des surfaces mises à la terre comme des tuyaux, des radiateurs, des cuisinières et des réfrigérateurs.** Le risque de choc électrique est accru lorsque le corps est mis à la terre.
- **Ne pas exposer les outils électriques à l'eau ou l'humidité.** La pénétration d'eau dans ces outils accroît le risque de choc électrique.
- **Ne pas maltraiter le cordon d'alimentation. Ne jamais utiliser le cordon d'alimentation pour transporter l'outil électrique et ne jamais débrancher ce dernier en tirant sur le cordon. Garder le cordon à l'écart de la chaleur, de l'huile, des objets tranchants et des pièces en mouvement.** Un cordon endommagé ou emmêlé accroît le risque de choc électrique.
- **Pour les travaux à l'extérieur, utiliser un cordon spécialement conçu à cet effet.** Utiliser un cordon conçu pour l'usage extérieur réduit les risques de choc électrique.
- **Si l'utilisation d'un outil électrique est inévitable dans un endroit humide, utiliser une source d'alimentation munie d'un disjoncteur de fuite de terre.** L'utilisation d'un disjoncteur de fuite de terre réduit le risque de choc électrique.

SÉCURITÉ INDIVIDUELLE

- **Rester attentif, prêter attention au travail et faire preuve de bon sens lors de l'utilisation de tout outil électrique. Ne pas utiliser cet appareil en cas de fatigue ou sous l'influence de l'alcool, de drogues ou de médicaments.** Un moment d'inattention pendant l'utilisation d'un outil électrique peut entraîner des blessures graves.
- **Porter l'équipement de protection individuel requis. Toujours porter une protection oculaire.**

Selon les conditions, porter aussi un masque anti-poussières, des bottes de sécurité antidérapantes, un casque protecteur ou une protection auditive afin de réduire les blessures.

•Empêcher les démarrages accidentels. S'assurer que la gâchette est en position d'arrêt avant de brancher l'outil à une source de courant, d'insérer la batterie, de le ramasser ou de le transporter. Le fait de transporter un outil électrique en gardant le doigt sur la gâchette ou de mettre sous tension un outil électrique lorsque la gâchette est en position de marche favorise les accidents.

•Retirer les clés de réglage avant de mettre l'outil en marche. Une clé laissée sur une pièce rotative de l'outil peut causer des blessures.

•Ne pas travailler hors de portée. Toujours se tenir bien campé et en équilibre. Une bonne stabilité procure un meilleur contrôle de l'outil électrique en cas d'imprévu.

•Porter une tenue appropriée. Ne porter ni vêtements amples, ni bijoux. Garder les cheveux et les vêtements à l'écart des pièces en mouvement. Les vêtements flottants, les bijoux ou les cheveux longs risquent d'être happés par les pièces en mouvement.

•Si les outils sont équipés de dispositifs de dépoussiérage, s'assurer qu'ils sont connectés et correctement utilisés. L'utilisation d'un collecteur de poussière permet de réduire les dangers liés à la poussière.

•Ne pas laisser la familiarité avec l'outil acquise par une utilisation fréquente vous rendre suffisant et vous amener à ignorer les règles de sécurité. Une utilisation négligée peut causer une blessure grave en une fraction de seconde.

UTILISATION ET ENTRETIEN DE L'OUTIL ÉLECTRIQUE

•Ne pas forcer l'outil électrique. Utiliser l'outil électrique approprié pour l'application. Un outil électrique approprié exécutera le travail mieux et de façon moins dangereuse s'il est utilisé dans les limites prévues.

•Ne pas utiliser l'outil électrique si le commutateur ne permet pas de le mettre en marche ou de l'arrêter. Tout outil électrique qui ne peut pas être contrôlé par son commutateur est dangereux et doit être réparé.

•Débrancher l'outil et/ou retirer le bloc-piles, si possible, avant d'effectuer des réglages, de changer d'accessoire ou de remettre l'outil. Ces mesures de sécurité préventives réduisent les risques de démarrage accidentel de l'outil.

•Entreposer l'outil électrique hors de la portée des enfants et interdire à quiconque de l'utiliser si la personne ne connaît pas bien le produit ou les instructions. Les outils électriques sont dangereux dans les mains d'utilisateurs novices.

•Entretenir les outils électriques et les accessoires. Vérifier qu'aucune pièce mobile n'est mal alignée ou bloquée, qu'aucune pièce n'est brisée et s'assurer qu'aucun autre problème risque d'affecter le bon fonctionnement de l'outil. En cas de dommages, faire réparer l'outil avant de l'utiliser. Plusieurs accidents sont causés par des produits mal entretenus.

•Garder les outils bien affûtés et propres. Des outils correctement entretenus et dont les tranchants sont bien affûtés risquent moins de se bloquer et sont plus faciles à contrôler.

•Utiliser l'outil électrique, les accessoires, les embouts etc. conformément à ces instructions en tenant compte des conditions de travail et de la tâche à effectuer. L'usage d'un outil électrique pour des applications pour lesquelles il n'est pas conçu peut être dangereux.

•Garder les poignées et les surfaces de préhension sèches, propres et exemptes d'huile ou de graisse. Des poignées et des surfaces de préhension glissantes ne permettent pas de manipuler et de contrôler l'outil en toute sécurité en cas de situation imprévue.

UTILISATION ET ENTRETIEN DE LA BATTERIE

•Pour recharger le bloc-piles, utiliser seulement le chargeur spécifié par le fabricant. Un chargeur pouvant convenir à un type de bloc-piles peut entraîner un risque d'incendie lorsqu'il est utilisé avec un autre type de bloc-piles.

•N'utiliser l'outil électrique qu'avec une batterie recommandée. L'utilisation de tout autre bloc-piles peut créer un risque de blessures et d'incendie.

•Lorsque le bloc-piles n'est pas utilisé, le tenir éloigné des objets en métal tels que les trombones, les pièces de monnaie, les clés, les clous, les vis ou d'autres petits objets métalliques qui pourraient connecter les bornes. Le court-circuitage des bornes d'une pile peut entraîner des brûlures ou un incendie.

•Éviter tout contact avec le liquide pouvant être éjecté de la pile en cas de manutention abusive. En cas de contact accidentel, rincer immédiatement les parties atteintes avec de l'eau. Si le liquide entre en contact avec les yeux, consulter un médecin. Le liquide éjecté des piles peut causer des irritations ou des brûlures.

•N'utiliser aucun bloc-piles ni aucun outil ayant été endommagé ou modifié. Des piles endommagées ou modifiées peuvent adopter un comportement imprévisible pouvant causer un incendie, une explosion ou le risque de blessures.

•Ne pas exposer le bloc-piles ou l'outil aux flammes ou à une température excessive. Une exposition aux flammes ou à une température supérieure à 130°C (265°F) peut causer une explosion.

•Suivre toutes les instructions de charge et ne pas charger le bloc-piles ou l'outil en dehors de la plage de température spécifiée. Une charge incorrecte ou à des températures en dehors de la plage spécifiée peut endommager la pile et augmenter le risque d'incendie.

ENTRETIEN

•Les réparations de l'outil électrique doivent être confiées à un technicien qualifié, utilisant exclusivement des pièces identiques à celles d'origine. Le maintien de la sûreté de l'outil électrique sera ainsi assuré.

•Ne jamais effectuer la réparation d'un bloc-piles endommagé. La réparation du bloc-piles doit être réalisée par le fabricant ou les fournisseurs de service agréés uniquement.

RÈGLES DE SÉCURITÉ SPÉCIFIQUES POUR CLIQUETS

• Lorsque l'outil électrique est utilisé pour un travail risquant de mettre le dispositif de fixation en contact avec des fils électriques cachés, tenez l'outil par les surfaces de prise isolées. Le contact d'un dispositif de fixation avec un fil sous tension « électrifié » les pièces métalliques exposées de l'outil et peut électrocuter l'utilisateur.

▲ **AVERTISSEMENT** Afin de minimiser le risque de blessures, lorsque de travaux sont faits dans de situations poussiéreuses, porter une protection respiratoire ou bien, utiliser une solution d'extraction de poussière conforme aux normes OSHA.

• Toujours faire preuve de bons sens et procéder avec prudence lors de l'utilisation d'outils. C'est impossible de prévoir toutes les situations dont le résultat est dangereux. Ne pas utiliser cet outil si vous ne comprenez pas ces instructions d'opération ou si vous pensez que le travail dépasse votre capacité ; veuillez contacter Milwaukee Tool ou un professionnel formé pour recevoir plus d'information ou formation.

• **Maintenir en l'état les étiquettes et les plaques d'identification.** Des informations importantes y figurent. Si elles sont illisibles ou manquantes, contacter un centre de services et d'entretien MILWAUKEE pour un remplacement gratuit.

▲ **AVERTISSEMENT** Certaines poussières générées par les activités de ponçage, de coupe, de rectification, de perçage et d'autres activités de construction contiennent des substances considérées être la cause de malformations congénitales et de troubles de l'appareil reproducteur. Parmi ces substances figurent :

• le plomb contenu dans les peintures à base de plomb ;

• la silice cristalline des briques, du ciment et d'autres matériaux de maçonnerie, ainsi que

• l'arsenic et le chrome des sciages traités chimiquement.

Les risques encourus par l'opérateur envers ces expositions varient en fonction de la fréquence de ce type de travail. Pour réduire l'exposition à ces substances chimiques, l'opérateur doit : travailler dans une zone bien ventilée et porter l'équipement de sécurité approprié, tel qu'un masque anti-poussière spécialement conçu pour filtrer les particules microscopiques.

SPECIFICATIONS

No de Cat.....	3050-20
Volts.....	12 CD
Type de batterie	M12™
Type de chargeur	M12™
RPM.....	0 - 350
Couple maximal.....	81,3 N•m (60 ft•lbs)
Température ambiante de fonctionnement recommandée	-18°C à 50°C (0°F à 125°F)

PICTOGRAPHIE



Volts



Courant direct

n_0 XXXX min⁻¹ Tours-minute à vide (RPM)



Verrouiller



Déverrouiller

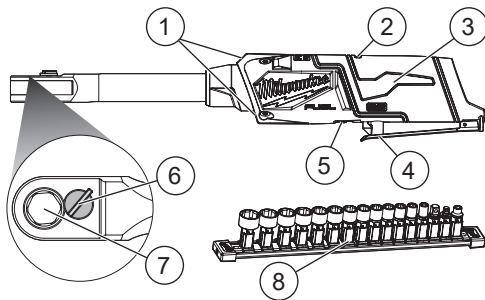


Lire le manuel d'utilisation



UL Listing Mark pour Canada et États-unis

DESCRIPTION FONCTIONNELLE



1. DEL
2. Jauge de carburant
3. Poignée
4. Interrupteur à palette
5. Interrupteur de blockage

6. Commutateur avant / arrière
7. Passage de clé
8. Les sockets métriques et enclumes

⚠ AVERTISSEMENT Ne recharger la batterie qu'avec le chargeur spécifié. Pour les instructions de charge spécifiques, lire le manuel d'utilisation fourni avec le chargeur et les batteries.

Insertion/Retrait de la batterie

Pour retirer la batterie, enfoncer les boutons de déverrouillage et la tirer hors de l'outil.

⚠ AVERTISSEMENT Toujours retirer la batterie les fois que l'outil est inutilisé.

Pour insérer la batterie, la glisser dans le corps de l'outil. S'assurer qu'elle est fixée solidement.

⚠ AVERTISSEMENT L'emploi d'accessoires autres que ceux qui sont expressément recommandés pour cet outil peut comporter des risques.

N'utilisez que des douilles et des adaptateurs d'enclume conçus par MILWAUKEE. D'autres douilles et adaptateurs d'enclume pourraient se briser ou se casser, causant des blessures.

Fixation/retrait des prises et adaptateurs

AVERTISSEMENT! Retirez la batterie pour éviter de démarrer l'outil.

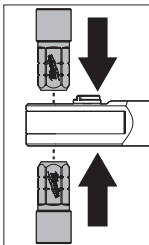
Pour insérer l'adaptateur dans le cliquet, alignez l'adaptateur avec l'ouverture de la spline sur le cliquet et poussez fermement jusqu'à ce qu'ils cliquent ensemble. Insérez à partir du bas ou du haut de l'outil, comme indiqué. Assurez-vous que l'adaptateur est sécurisé en place avant utilisation. Certaines prises MILWAUKEE peuvent être utilisées sans adaptateur d'enclume.

Pour fixer une prise ou un accessoire, appuyez fermement en place sur l'adaptateur.

Pour retirer la douille ou l'accessoire, éloignez-vous fermement de l'outil.

Pour retirer l'adaptateur, retirez-le de la spline à cliquet.

REMARQUE : Choisissez l'accessoire correct pour le travail.



⚠ AVERTISSEMENT Afin de minimiser le risque de blessures, toujours porter la protection oculaire appropriée certifiée conforme à la norme ANSI Z87.1.

Lorsque de travaux sont faits dans des situations poussiéreuses, porter une protection respiratoire ou bien, utiliser une solution d'extraction de poussière conforme aux normes OSHA.

Indicateur de charge de la batterie

Pour déterminer l'autonomie de la batterie, allumez l'outil. La jauge de carburant s'allume pendant 2-3 secondes. Lorsque moins de 10% de la charge est laissée, une lumière sur la jauge de carburant clignotera 4 fois.

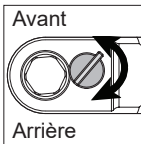
Pour signaler la fin de la charge, une lumière sur la jauge de carburant clignotera 8 fois et l'outil ne s'exécutera pas. Chargez le bloc-piles.

Si la batterie devient trop chaude, les voyants de jauge de carburant clignoteront et l'outil ne s'exécutera pas. Laissez la batterie refroidir.

Utilisation du commutateur avant/arrière

Pour une rotation vers l'avant (sens horaire), tourner le bouton avant/arrière dans le sens antihoraire. Vérifier le sens de rotation avant l'utilisation.

Pour une rotation vers l'arrière (sens antihoraire), le tourner dans le sens horaire. Vérifier le sens de rotation avant l'utilisation.



Interrupteur de blocage

Pour bloquer l'interrupteur à palette, faire glisser l'interrupteur de blocage en position verrouillée. Pour le débloquer, le faire glisser en position déverrouillée. L'interrupteur à palette ne fonctionne pas tant que l'interrupteur de blocage est en position verrouillée.

Toujours bloquer l'interrupteur à palette ou retirer la batterie les fois que l'outil est inutilisé.

Marche, arrêt et contrôle de la vitesse

1. Pour mettre l'outil en marche, saisir fermement la poignée(s) et tirer sur la détente.

REMARQUE : Un voyant à DEL s'allumera lorsqu'on appuie sur la gâchette et s'éteindra un peu de temps après qu'elle ait été relâchée.

2. Pour faire varier la vitesse, augmenter ou réduire la pression sur la détente. La vitesse augmente en fonction de la pression exercée sur la détente.

3. Pour arrêter l'outil, relâcher la gâchette. S'assurer que l'outil parvienne à s'arrêter complètement avant de le déposer.

ENTRETIEN

AVERTISSEMENT Pour minimiser les risques de blessures corporelles, débranchez le chargeur et retirez la batterie du chargeur ou de l'outil avant d'y effectuer des travaux d'entretien. Ne jamais démonter le bloc-piles, le chargeur ou l'outil, sauf si ces instructions indiquent faire une telle chose. Pour toute autre réparation, contactez un centre de service de MILWAUKEE.

Entretien de l'outil

Gardez l'outil en bon état en adoptant un programme d'entretien ponctuel. Inspectez votre outil pour des questions telles que le bruit excessif, de grippage des pièces mobiles, de pièces cassées ou toute autre condition qui peut affecter le fonctionnement de l'outil. Retournez votre outil à un centre de service MILWAUKEE accrédité pour obtenir le service. Après une période pouvant aller de 6 mois à un an, selon l'usage, retournez votre outil à un centre de service MILWAUKEE accrédité pour d'inspection.

Si l'outil ne démarre pas ou ne fonctionne pas à pleine puissance alors qu'il est branché sur une batterie complètement chargée, nettoyez les points de contact entre la batterie et l'outil. Si l'outil ne fonctionne toujours pas correctement, renvoyez l'outil, le chargeur et la batterie à un centre de service MILWAUKEE accrédité.

AVERTISSEMENT Pour minimiser les risques de blessures ou de dommages à l'outil, n'immergez jamais l'outil, la batterie ou le chargeur et ne laissez pas de liquide s'y infiltrer.

Nettoyage

Débarrassez les tous événements des débris et de la poussière. Gardez les outils propres, à sec et exempts d'huile ou de graisse. Le nettoyage doit se faire avec un linge humide et un savon doux. Certains nettoyants tels l'essence, la térébenthine, les diluants à laque ou à peinture, les solvants chlorés, l'ammoniaque et les détergents d'usage domestique qui en contiennent pourraient détériorer le plastique et l'isolation des pièces. Ne laissez jamais de solvants inflammables ou combustibles auprès des outils.

Réparations

Pour les réparations, retournez outil, batterie et chargeur en entier au centre-service autorisé le plus près.

ACCESSOIRES

AVERTISSEMENT L'utilisation d'autres accessoires que ceux qui sont spécifiquement recommandés pour cet outil peut comporter des risques.

Pour une liste complète des accessoires, visiter le site internet www.milwaukeetool.com ou contactez un distributeur.

SERVICE - CANADA

Milwaukee Tool (Canada) Ltd
1.877.948.2360

Monday-Friday, 7:00 AM - 4:30 PM CST
www.milwaukeetool.ca

GARANTIE LIMITÉE - AUX ÉTATS-UNIS ET AU CANADA

Cet outil électrique MILWAUKEE® est garanti à l'acheteur d'origine uniquement par un distributeur agréé de MILWAUKEE d'être exempt de vice du matériau et de fabrication. Sous réserve de certaines exceptions, MILWAUKEE réparera ou remplacera toute pièce de cet outil électrique qui, après examen par MILWAUKEE, est affectée d'un vice de matériau ou de fabrication pendant une période de cinq (5) ans après la date d'achat, sauf indication contraire. Il faudra retourner l'outil électrique à un centre de service en usine MILWAUKEE ou à un poste d'entretien agréé MILWAUKEE, en port prépayé et assuré. Une copie de la preuve d'achat doit être présentée lors du retour du produit. Cette garantie ne couvre pas les dommages que MILWAUKEE détermine d'être causés par des réparations ou des tentatives de réparation par quiconque d'autre que le personnel agréé par MILWAUKEE, des utilisations incorrectes, des altérations, des utilisations abusives, une usure normale, une carence d'entretien ou les accidents.

Usure normale - Par rapport à plusieurs outils électriques, il faut remplacer et entretenir leurs pièces afin de jouir de leur rendement optimal. Cette garantie ne couvre pas les cas de réparation lorsque la vie utile normale de la pièce s'est terminée, incluant, sans s'y limiter, les mandrins, les balais, les câbles, les patins de scie, les brides de lame, les joints toriques, les embouts, les buttoirs, les lames d'entraînement, les pistons, les perceurs, les poussoirs et les rondelles de protection de butoir.

* Cette garantie ne couvre ni les blocs-piles ni tous les outils électriques. Veuillez vous reporter aux autres garanties différentes disponibles pour ces produits.

La période durant laquelle la garantie est valable pour la lumière à DEL de la lampe de travail à DEL (49-24-0171) et l'ampoule transformée à DEL (49-81-0090) est d'une durée égale à la vie utile du produit en raison des limites au-dessus. Si la lumière à DEL ou l'ampoule transformée à DEL tombent en panne durant l'utilisation normale, la pièce sera remplacée gratuitement.

L'inscription de la garantie n'est pas nécessaire pour bénéficier de la garantie en vigueur d'un outil électrique MILWAUKEE. La date de fabrication du produit servira à établir la période de garantie si aucune preuve d'achat n'est fournie lorsqu'une demande de service sous garantie est faite.

L'ACCEPTATION DES RECOURS EXCLUSIFS DE RÉPARATION ET DE REMPLACEMENT DÉCRITS PAR LA PRÉSENTE EST UNE CONDITION DU CONTRAT D'ACHAT DE TOUT PRODUIT MILWAUKEE. SI VOUS N'ACCEPTÉZ PAS CETTE CONDITION, VOUS NE DEVEZ PAS ACHETER LE PRODUIT. EN AUCUN CAS MILWAUKEE NE SAURAIT ÊTRE RESPONSABLE DE TOUT DOMMAGE ACCESSOIRE, SPÉCIAL OU INDIRECT, DE DOMMAGES-INTÉRÊTS PUNITIFS OU DE TOUTE DÉPENSE, D'HONORAIRES/AVOCATS, DE FRAIS, DE PERTE OU DE DÉLAIS ACCESSOIRES À TOUT DOMMAGE, DÉFAILLANCE OU DÉFAUT DE TOUT PRODUIT, Y COMPRIS NOTAMMENT LES PERTES DE PROFIT. CERTAINS ÉTATS ET PROVINCES NE PERMETTANT L'EXCLUSION OU LA LIMITATION DES DOMMAGES DIRECTS OU INDIRECTS, LES RESTRICTIONS CI-DESSOUS PEUVENT NE PAS ÊTRE APPLICABLES. CETTE GARANTIE EST EXCLUSIVE ET REMPLACE TOUTE AUTRE GARANTIE EXPRESSE, QU'ELLE SOIT VERBALE OU ÉCRITE, DANS LA MESURE PERMISE PAR LA LOI. MILWAUKEE RENONCE À TOUTE GARANTIE IMPLICITE, Y COMPRIS, SANS S'Y LIMITER, TOUTE GARANTIE IMPLICITE DE COMMERCIALISABILITÉ OU D'ADAPTATION À UNE UTILISATION OU À UNE FIN PARTICULIÈRE. DANS LA MESURE OU UNE TELLE STIPULATION D'EXONÉRATION N'EST PAS PERMISE PAR LA LOI, LA DURÉE DE CES GARANTIES IMPLICITES EST LIMITÉE À LA PÉRIODE APPLICABLE DE LA GARANTIE EXPRESSE, TELLE QUE CELA EST DÉCRIT PRÉCÉDEMMENT. CERTAINES PROVINCES NE PERMETTANT PAS DE LIMITATION DE DURÉE DES GARANTIES IMPLICITES, LES RESTRICTIONS CI-DESSOUS PEUVENT NE PAS ÊTRE APPLICABLES. LA PRÉSENTE CONFÈRE À L'UTILISATEUR DES DROITS LÉGAUX PARTICULIERS; IL BÉNÉFICIE ÉGALEMENT D'AUTRES DROITS QUI VARIENT D'UNE PROVINCE À L'AUTRE. Cette garantie s'applique uniquement aux produits vendus aux États-Unis et au Canada.

Veuillez consulter l'onglet « Trouver un centre Service », dans la section « Pièces et service » du site web de MILWAUKEE, à l'adresse www.milwaukeetool.com, ou composer le 1.800.SAWDUST (1.800.729.3878) afin de trouver le centre de service le plus proche dans votre région pour l'entretien, sous garantie ou non, de votre outil électrique MILWAUKEE.

GARANTIE LIMITÉE - AUX ÉTATS-UNIS ET AU CANADA

Toute douille pour cliquet carré Insider™ de MILWAUKEE (consultez la liste sur www.milwaukeeetool.com) est garantie d'être exempte de tous défauts de matériau et de main-d'œuvre durant la vie utile du produit. MILWAUKEE remplacera toute douille pour cliquet carré Insider™ qui, après examen par MILWAUKEE, est affectée d'un vice de matériau et de main-d'œuvre durant la vie utile de la douille pour cliquet carré Insider™. Les dommages causés par une usure normale, une utilisation abusive, des modifications, des abus, de la carence d'entretien et des accidents ne sont pas couverts par la présente garantie. Appeler le 1.800.SAWDUST (1.800.729.3878) pour en savoir plus sur comment obtenir un remplacement, ou bien vous reporter à la garantie de la douille pour cliquet carré Insider™ avec la description du produit, une photographie du produit ainsi que votre nom et votre adresse de livraison.

*Cette garantie ne couvre pas les adaptateurs pour cliquet carré Insider™.

L'ACCEPTATION DES RECOURS EXCLUSIFS DE REMPLACEMENT DÉCRITS PAR LA PRÉSENTE EST UNE CONDITION DU CONTRAT D'ACHAT DE TOUT PRODUIT MILWAUKEE. MILWAUKEE NE SAURAIT ÊTRE RESPONSABLE D'AUCUN COÛT OU DOMMAGE EXCÉDENTAIRE DU PRIX D'ACHAT PAYÉ PAR L'ACHETEUR AU DÉTAIL ORIGINAL POUR LES PRODUITS DE MILWAUKEE EN QUESTION. SI VOUS N'ACCEPTÉZ PAS CETTE CONDITION, VOUS NE DEVEZ PAS ACHETER LE PRODUIT. EN AUCUN CAS MILWAUKEE NE SAURAIT ÊTRE RESPONSABLE DE TOUT DOMMAGE ACCESSOIRE, SPÉCIAL OU INDIRECT, DE DOMMAGES-INTÉRÊTS PUNITIFS OU DE TOUTE DÉPENSE, D'HONORAIRES D'AVOCATS, DE FRAIS, DE PERTE OU DE DÉLAIS ACCESSOIRES À TOUT DOMMAGE, DÉFAILLANCE OU DÉFAUT DE TOUT PRODUIT, Y COMPRIS NOTAMMENT LES PERTES DE PROFIT. CERTAINES PROVINCES NE PERMETTANT PAS L'EXCLUSION OU LA LIMITATION DES DOMMAGES DIRECTS, PUNITIFS OU INDIRECTS, LES RESTRICTIONS CI-DESSOUS PEUVENT NE PAS ÊTRE APPLICABLES. LA PRÉSENTE CONFÈRE À L'UTILISATEUR DES DROITS LÉGAUX PARTICULIERS VARIANT D'UN ÉTAT À L'AUTRE.

Cette garantie ne s'applique qu'aux produits vendus aux États-Unis, et au Canada.

ADVERTENCIAS DE SEGURIDAD GENERALES PARA LA HERRAMIENTA ELÉCTRICA

⚠️ ADVERTENCIA Lea todas las advertencias de seguridad, instrucciones, ilustraciones y especificaciones con esta herramienta eléctrica. Si no sigue todas las advertencias e instrucciones, se pueden provocar una descarga eléctrica, un incendio o lesiones graves. **Guarde todas las advertencias e instrucciones para consultarlas en el futuro.** El término "herramienta eléctrica" en todas las advertencias incluidas más abajo se refiere a su herramienta operada por conexión (cable) a la red eléctrica o por medio de una batería (inalámbrica).

SEGURIDAD EN EL ÁREA DE TRABAJO

- **Mantenga el área de trabajo limpia y bien iluminada.** Las áreas desordenadas u oscuras son propicias para los accidentes.
- **No utilice herramientas eléctricas en atmósferas explosivas, tales como en presencia de líquidos, gases o polvos inflamables.** Las herramientas eléctricas generan chispas que pueden encender el polvo o los vapores.
- **Mantenga a los niños y a los espectadores alejados mientras utiliza una herramienta eléctrica.** Las distracciones pueden ocasionar la pérdida de control.

SEGURIDAD ELÉCTRICA

- **Los enchufes de la herramienta eléctrica deben coincidir con el tomacorriente. Nunca modifique el enchufe de ninguna manera. No utilice adaptadores de enchufe con herramientas eléctricas aterrizadas.** Los enchufes y tomacorrientes correspondientes sin modificar reducirán el riesgo de descarga eléctrica.
- **Evite el contacto corporal con superficies aterrizadas, tales como tuberías, radiadores, estufas y refrigeradores.** Existe un riesgo mayor de descarga eléctrica si su cuerpo está aterrizado.
- **No exponga las herramientas eléctricas a la lluvia ni a condiciones húmedas.** Si se introduce agua en una herramienta eléctrica, aumentará el riesgo de descarga eléctrica.
- **No maltrate el cable. Nunca utilice el cable para cargar, jalar o desconectar la herramienta eléctrica. Mantenga el cable alejado del calor, el aceite, los bordes afilados o las partes en movimiento.** Los cables dañados o enredados aumentan el riesgo de descarga eléctrica.
- **Al utilizar una herramienta eléctrica en exteriores, utilice una extensión adecuada para uso en exteriores.** El uso de una extensión adecuada para el uso en exteriores disminuye el riesgo de descarga eléctrica.
- **Si es inevitable utilizar una herramienta eléctrica en un lugar húmedo, utilice un alimentador de corriente protegido con un interruptor de circuito por falla de conexión a tierra (GFCI).** El uso de un GFCI reduce el riesgo de descarga eléctrica.

SEGURIDAD PERSONAL

- **Manténgase alerta, atento a lo que está haciendo y utilice el sentido común al utilizar una herramienta eléctrica.** No utilice una herramienta eléctrica mientras está cansado o bajo la influencia de drogas, alcohol o medicamentos. Un momento de distracción al utilizar herramientas eléctricas puede ocasionar lesiones personales graves.
- **Utilice equipo de protección personal. Siempre use protección para los ojos.** El equipo de protección, tal como una máscara contra polvo, calzado antideslizante, casco o protección auditiva, utilizado para condiciones adecuadas disminuirá las lesiones personales.
- **Evite el arranque accidental. Asegúrese de que el interruptor esté en la posición de apagado antes de conectarlo a una fuente de poder y/o batería, levantar o trasladar la herramienta.** Trasladar herramientas con el dedo en el interruptor o energizar herramientas eléctricas que tienen el interruptor encendido propicia accidentes.
- **Retire cualquier llave de ajuste antes de entender la herramienta.** Una llave que se deje insertada en una parte giratoria de la herramienta eléctrica puede ocasionar lesiones personales.
- **No estire el cuerpo demasiado. Mantenga un buen contacto entre los pies y el suelo y mantenga el equilibrio en todo momento.** Esto permite un mejor control de la herramienta eléctrica en situaciones inesperadas.
- **Vístase adecuadamente. No utilice ropa o joyería holgada. Mantenga el cabello y la ropa alejados de las partes móviles.** La ropa holgada, las alhajas o el cabello largo pueden quedarse atrapados en las partes móviles.
- **Si se proporcionan dispositivos para la conexión de instalaciones de extracción y recolección de polvo, cerciórese de que estén conectados y se utilicen correctamente.** El uso de dispositivos recolectores de polvo puede disminuir los riesgos relacionados con el polvo.
- **No permita que la familiaridad por el uso frecuente de las herramientas lo hagan sentirse seguro e ignoren los principios de seguridad de las herramientas.** Un descuido puede provocar lesiones graves en una fracción de segundo.

USO Y CUIDADO DE LAS HERRAMIENTAS ELÉCTRICAS

- **No fuerce la herramienta eléctrica. Utilice la herramienta eléctrica correcta para su aplicación.** La herramienta eléctrica correcta realizará el trabajo mejor y con mayor seguridad a la velocidad para la que fue diseñada.
- **No utilice la herramienta eléctrica si el interruptor no la enciende y la apaga.** Cualquier herramienta eléctrica que no pueda controlarse con el interruptor es peligrosa y debe repararse.
- **Desconecte el enchufe de la fuente de energía y/o quite la batería de la herramienta eléctrica, si es posible, antes de realizar cualquier ajuste, cambiar accesorios o almacenar las herramientas eléctricas.** Tales medidas preventivas de seguridad disminuyen el riesgo de que la herramienta eléctrica se encienda accidentalmente.
- **Almacene las herramientas eléctricas que no se estén utilizando fuera del alcance de los niños y no permita que personas que no estén familiarizadas con la herramienta eléctrica o con**

estas instrucciones la utilicen. Las herramientas eléctricas son peligrosas en manos de usuarios sin capacitación.

- **Dé mantenimiento a las herramientas eléctricas y accesorios. Verifique que no haya desalineación, amarre de partes móviles, partes rotas o alguna otra condición que pueda afectar el funcionamiento de la herramienta eléctrica.** Si se daña, asegúrese de que la herramienta eléctrica sea reparada antes de que se utilice. Muchos accidentes son ocasionados por herramientas eléctricas con mantenimiento deficiente.
- **Mantenga las herramientas de corte afiladas y limpias.** Las herramientas de corte correctamente mantenidas con bordes de corte afilados son menos propensas a atorarse y son más fáciles de controlar.
- **Utilice la herramienta eléctrica, los accesorios y las puntas, etc. de acuerdo con estas instrucciones, tomando en cuenta las condiciones de trabajo y el trabajo a realizar.** El uso de la herramienta eléctrica para operaciones diferentes a las previstas podría generar una situación peligrosa.
- **Mantenga las empuñaduras y fias superficies de sujeción secas, limpias y libres de aceite y grasa.** Las empuñaduras y superficies de sujeción resbalosas no permiten el manejo y control seguros de la herramienta en situaciones inesperadas.

USO Y CUIDADO DE LAS HERRAMIENTAS CON BATERÍA

- **Recargue únicamente con el cargador especificado por el fabricante.** Un cargador que es adecuado para un tipo de batería puede crear un riesgo de incendio si se utiliza con otra batería.
- **Utilice las herramientas eléctricas únicamente con baterías específicamente diseñadas.** El uso de cualquier otra batería puede producir un riesgo de lesiones e incendio.
- **Cuando la batería no esté en uso, manténgala alejada de otros objetos metálicos como sujetapapeles, monedas, llaves, clavos, tornillos u otros objetos metálicos pequeños que puedan formar una conexión de una terminal a otra.** Crear un corto entre las terminales de la batería puede ocasionar quemaduras o un incendio.
- **Bajo condiciones de maltrato, el líquido puede ser expulsado de la batería, evite el contacto.** En caso de contacto accidental, lave con agua. Si el líquido entra en contacto con los ojos, busque además ayuda médica. El líquido expulsado de la batería puede causar irritación o quemaduras.
- **No use una batería o herramienta que se haya dañado o modificado.** Las baterías dañadas o modificadas pueden mostrar un comportamiento impredecible, causando incendios, explosión o riesgo de lesión.
- **No exponga una batería o herramienta al fuego o a temperatura excesiva.** La exposición a fuego o temperatura a más de 130°C (265°F) puede causar explosiones.
- **Siga todas las instrucciones de carga y no cargue la batería o la herramienta fuera del rango de temperatura especificado en las instrucciones.** La carga incorrecta o a temperaturas fuera del rango especificado puede dañar la batería y aumentar el riesgo de incendio.

MANTENIMIENTO

- Lleve su herramienta eléctrica a servicio con un técnico calificado que use únicamente piezas de reemplazo idénticas. Esto asegurará que la seguridad de la herramienta eléctrica se mantenga.
- Nunca dé servicio a baterías dañadas. Únicamente el fabricante o proveedores de servicio autorizados deben dar servicio a las baterías.

REGLAS ESPECÍFICAS DE SEGURIDAD PARA TRINQUETES

- Sostenga la herramienta eléctrica de las superficies de sujeción aisladas al llevar a cabo una operación en la que el tornillo pueda hacer contacto con cableado oculto. El contacto de los tornillos con un cable que conduzca electricidad puede hacer que las partes metálicas de la herramienta se electrifiquen y podría ocasionar una descarga eléctrica al operador.

ADVERTENCIA Para reducir el riesgo de lesiones, al momento de realizar trabajos en situaciones donde haya presencia de polvo, utilice la protección respiratoria adecuada o utilice una solución de extracción de polvo que cumpla con los requisitos de la OSHA.

- Válgase siempre de su sentido común y sea cuidadoso cuando utilice herramientas. No es posible anticipar todas las situaciones que podrían tener un desenlace peligroso. No utilice esta herramienta si no entiende estas instrucciones de uso o si considera que el trabajo a realizar supera sus capacidades, comuníquese con Milwaukee Tool o con un profesional capacitado para recibir capacitación o información adicional.

- Conserve las etiquetas y las placas nominales. Contienen información importante. Si son ilegibles o no están presentes, comuníquese con un centro de servicio MILWAUKEE para obtener un reemplazo gratuito.

ADVERTENCIA Algunos polvos generados por el lijado eléctrico, aserrado, pulido, taladrado y otras actividades de construcción contienen químicos identificados como causantes de cáncer, defectos congénitos u otros daños reproductivos. Algunos ejemplos de estos químicos son:

- plomo de pintura basada en plomo
- dióxido de silicio de los ladrillos y el cemento y otros productos de albañilería y
- arsénico y cromo de madera con tratamiento químico. Su riesgo por estas exposiciones varía, dependiendo de la frecuencia con que realice este tipo de trabajo. Para reducir su exposición a estos químicos: trabaje en un área bien ventilada y trabaje con equipo de seguridad aprobado, como mascarillas protectoras contra polvo especialmente diseñadas para filtrar partículas microscópicas.

ESPECIFICACIONES

Cat. No. 3050-20
Volts 12 CD
Tipo de batería M12™
Tipo de cargador M12™
RPM 0 - 350
Torque máximo 81,3 N•m (60 ft•lbs)
Temperatura ambiente recomendada para operar -18°C a 50°C (0°F a 125°F)

SIMBOLOGÍA



Volts



Corriente continua

n₀ XXXX min⁻¹ Revoluciones por minuto sin carga (RPM)



Bloqueo



Desbloqueo

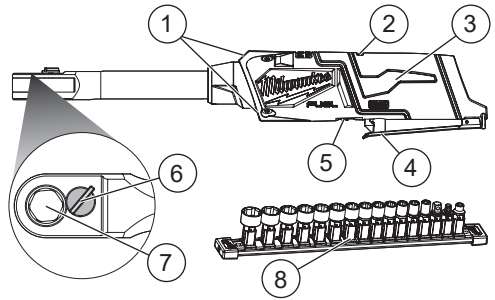


Leer el manual del operador



UL Listing Mark para Canadá y Estados Unidos

DESCRIPCIÓN FUNCIONAL



1. LED
2. Indicador de combustible
3. Mango
4. Interruptor de paleta
5. Interruptor de bloqueo
6. Alternar avance / retroceso
7. Llave
8. Los sockets métrica y yunques

⚠ ADVERTENCIA Recargue la batería sólo con el cargador especificado para ella. Para instrucciones específicas sobre cómo cargar, lea el manual del operador suministrado con su cargador y la batería.

Como se inserta/quita la batería en la herramienta

Para **retirar** la batería, presione los botones de liberación y jale de la batería para sacarla de la herramienta.

⚠ ADVERTENCIA Siempre el retire la batería cada vez que la herramienta no esté en uso.

Para **introducir** la batería, deslícela en el cuerpo de la herramienta. Asegúrese de que quede bien firme en su posición.

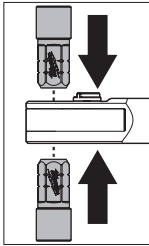
⚠ ADVERTENCIA Utilice únicamente accesorios específicamente recomendados para esta herramienta. El uso de accesorios no recomendados podría resultar peligroso.

Utilice únicamente accesorios específicamente recomendados para esta herramienta. El uso de accesorios no recomendados podría resultar peligroso.

Fijación/extracción de zócalos y Adaptadores

⚠ ADVERTENCIA! Retire la batería para evitar arancar la herramienta.

- Para **insertar** el adaptador en el trinquete, alinee el adaptador con la abertura spline en el trinquete y empuje firmemente hasta que encajen. Inserte desde la parte inferior o superior de la herramienta, como se muestra. Asegúrese de que el adaptador esté asegurado en su lugar antes de usarlo. Algunos enchufes MILWAUKEE se pueden usar sin un adaptador de yunque.



- Para **conectar** un zócalo o accesorio, presiónelo firmemente en su lugar en el adaptador.

- Para **retirar** el zócalo o el accesorio, aléjelo firmemente de la herramienta.

- Para **retirar** el adaptador, extraiga el adaptador de la spline del trinquete.

NOTA: Elija el accesorio correcto para el trabajo.

⚠ ADVERTENCIA Con el fin de minimizar el riesgo de lesiones, siempre utilice la protección de ojos adecuada indicada para cumplir con lo dispuesto en la norma ANSI Z87.1.

Al momento de realizar trabajos en situaciones donde haya presencia de polvo, utilice la protección respiratoria adecuada o utilice una solución de extracción de polvo que cumpla con los requisitos de la OSHA.

Indicador de carga

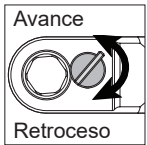
Para determinar la cantidad de carga que queda en la batería, **encienda** la herramienta. El medidor de combustible se iluminará durante 2-3 segundos. Cuando se deja menos del 10% de carga, 1 luz en el medidor de combustible parpadeará 4 veces.

Para indicar el final de la carga, 1 luz en el medidor de combustible parpadeará 8 veces y la herramienta no funcionará. Cargue el paquete de baterías.

Si la batería se calienta demasiado, las luces del medidor de combustible parpadearán y la herramienta no funcionará. Deje que la batería se enfríe.

Uso del conmutador de avance / retroceso

Para rotación de **avance** (hacia la derecha), gire el conmutador de avance / retroceso a la izquierda. Verificar la dirección del giro antes de usarlo.



Para rotación de **retroceso** (hacia la izquierda), gire el conmutador de avance / retroceso a la derecha. Verifique la dirección del giro antes de usarlo.

Interruptor de bloqueo

Para **bloquear** el paleta, deslice el interruptor de bloqueo a la posición bloqueado. Para **desbloquear** el paleta, deslice el interruptor de bloqueo a la posición desbloqueado. El paleta no funcionará mientras el interruptor de bloqueo se encuentre en la posición bloqueado.

Bloquee siempre el paleta o retire la batería cada vez que la herramienta no esté en uso.

Encendido, parada y control de la velocidad

1. Para **encender** la herramienta, agarre el mango(s) firmemente y apriete el paleta.

NOTA: Se enciende una luz LED cuando se oprime el paleta y se apagará rápidamente después de liberar el paleta.

2. Para **cambiar** la velocidad, aumente o disminuya la presión sobre el paleta. Cuanto más se apriete el paleta, mayor será la velocidad.

3. Para **detener** la herramienta, suelte el paleta. Asegúrese de que la herramienta se detenga por completo antes de bajarla.

MANTENIMIENTO

ADVERTENCIA Para reducir el riesgo de una lesión, desconecte siempre la herramienta antes de darle cualquier mantenimiento. Nunca desarme la batería, el cargador o la herramienta, salvo que así lo indiquen estas instrucciones. Comuníquese con un centro de servicio de MILWAUKEE para todas las demás reparaciones.

Mantenimiento de las herramientas

Adopte un programa regular de mantenimiento y mantenga su herramienta en buenas condiciones. Inspeccione la herramienta para problemas como ruidos indebidos, desalineadas o agarradas de partes móviles, piezas rotas o cualquier otra condición que pueda afectar el funcionamiento de la herramienta. Envíe su herramienta al Centro de Servicio MILWAUKEE para reparación. Después de 6 meses a un año, dependiendo del uso dado, envíe su herramienta al Centro de Servicio MILWAUKEE más cercano para la inspección.

Si la herramienta no arranca u opera a toda su potencia con una batería completamente cargada, limpie, con una goma o borrador, los contactos de la batería y de la herramienta. Si aun así la herramienta no trabaja correctamente, regrésela, con el cargador y la batería, a un centro de servicio MILWAUKEE.

ADVERTENCIA Para reducir el riesgo de lesiones, descarga eléctrica o daño a la herramienta, nunca la sumerja en líquidos ni permita que estos fluyan dentro de la misma.

Limpieza

Limpie el polvo y suciedad de las cualquier ventilas. Mantenga los herramienta, limpios, secos y libres de aceite o grasa. Use solo jabón neutro y un trapo húmedo para limpiar, ya que algunos substancias y solventes limpiadores son dañinos a los plásticos y partes aislantes. Algunos de estos incluyen: gasolina, turpentina, thíner, lacas, thíner para pinturas, solventes para limpieza con cloro, amoníaco y detergentes caseros que tengan amonia. Nunca usa solventes inflamables o combustibles cerca de una herramienta.

Reparaciones

Si su herramienta, batería o cargador están dañados, envíela al centro de servicio autorizado más cercano.

ACCESORIOS

ADVERTENCIA Utilice sólo los accesorios específicamente recomendados. Otros accesorios puede ser peligroso.

Para una lista completa de accesorios, visite nuestro sitio en Internet: www.milwaukeetool.com o póngase en contacto con un distribuidor.

SOPORTE DE SERVICIO - MEXICO

CENTRO DE ATENCION A CLIENTES

Techtronic Industries Mexico, S.A. de C.V.

Av. Presidente Masarik 29 Piso 7

11560 Polanco V Seccion

Miguel Hidalgo, Distrito Federal, México

01 (800) 030-7777 o (55) 4160-3540

Lunes a Viernes (9am a 6pm)

O contáctanos en www.milwaukeetool.com.mx

GARANTÍA LIMITADA - E.U.A. Y CANADÁ

Esta herramienta eléctrica de MILWAUKEE* está garantizada, ante el comprador original únicamente, por parte de un distribuidor autorizado MILWAUKEE, de que no tenga material y mano de obra defectuosos. Sujeto a ciertas excepciones, MILWAUKEE reparará o sustituirá cualquier pieza de esta herramienta eléctrica que tenga defectos de material o mano de obra según lo determine MILWAUKEE mediante una revisión, por un periodo de cinco (5) años después de la fecha de compra a menos que se indique lo contrario. Al devolver la herramienta eléctrica a un centro de servicio de fábrica de MILWAUKEE o a una estación de servicio autorizada de MILWAUKEE, es necesario que la devolución se haga con flete pagado por adelantado y asegurado. Se debe incluir una copia del comprobante de compra con el producto devuelto. Esta garantía no aplica a daños que MILWAUKEE determine que son ocasionados por reparaciones o intentos de reparaciones realizados por una persona que no sea personal autorizado de MILWAUKEE, uso indebido, alteraciones, maltrato, desgaste normal, falta de mantenimiento o accidentes.

Desgaste normal: Muchas herramientas eléctricas necesitan cambios de piezas y mantenimiento periódicos para alcanzar su máximo rendimiento. Esta garantía no cubre la reparación cuando el uso normal ha agotado la vida útil de una pieza, incluyendo, entre otros, mandriles, cepillos, cables, zapatas de la sierra, abrazaderas de la hoja, juntas tóricas, sellos, protectores, hojas de accionamiento, pistones, herrajes, levantadores y arandelas de cubierta de los protectores.

*La presente garantía no cubre ni las baterías ni todas las herramientas eléctricas. Consulte las distintas garantías independientes que están disponibles para estos productos.

La vigencia de la garantía de la luz LED en la lámpara LED de trabajo (49-24-0171) y el foco mejorado de LED (49-81-0090) es la misma que la vida útil del producto sujeto a las limitaciones anteriores. Si la luz LED o el foco mejorado LED presentan fallas durante su suso normal, se cambiará la pieza sin costo.

No es necesario realizar el registro de la garantía para recibir la garantía correspondiente a un producto de herramienta eléctrica de MILWAUKEE. La fecha de fabricación del producto servirá para determinar la vigencia de la garantía en caso de que no presente ningún comprobante de compra al solicitar el servicio en garantía.

LA ACEPTACIÓN DE LOS RESARCIMIENTOS EXCLUSIVOS DE REPARACIÓN Y SUSTITUCIÓN AQUÍ DESCRITOS ES UNA CONDICIÓN DEL CONTRATO EN CUANTO A LA COMPRA DE TODO PRODUCTO DE MILWAUKEE. SI USTED NO ACEPTA ESTA CONDICIÓN, NO DEBE COMPRAR EL PRODUCTO. MILWAUKEE NO SERÁ RESPONSABLE EN NINGUN CASO DE DAÑOS INCIDENTALES, ESPECIALES, EMERGENTES O PUNITIVOS NI DE NINGÚN COSTO, HONORARIOS DE ABOGADOS, GASTOS, PÉRDIDAS O DEMORAS QUE SUPUESTAMENTE SEAN CONSECUENCIA DE ALGUN DAÑO, FALLA O DEFECTO DE ALGUNO DE LOS PRODUCTOS, INCLUYENDO, ENTRE OTROS, RECLAMACIONES POR PÉRDIDA DE UTILIDADES. ALGUNOS ESTADOS NO PERMITEN LA EXCLUSIÓN O LIMITACIÓN DE RESPONSABILIDAD POR DAÑOS INCIDENTALES O EMERGENTES, POR LO QUE LA ANTERIOR LIMITACIÓN O EXCLUSIÓN PODRÍA NO APLICARSE EN SU CASO. ESTA GARANTÍA ES EXCLUSIVA Y SUSTITUYE TODAS LAS DEMÁS GARANTÍAS EXPRESAS. SEAN ESTAS ESCRITAS U ORALES. HASTA DONDE PERMITA LA LEY, MILWAUKEE DESCONOCE CUALQUIER GARANTÍA IMPLÍCITA, INCLUYENDO, SIN LIMITACIÓN, CUALQUIER GARANTÍA IMPLÍCITA DE COMERCIABILIDAD O IDONEIDAD PARA UN FIN O USO ESPECÍFICO; HASTA EN QUE DICHO DESCONOCIMIENTO NO SEA PERMITIDO POR LA LEY, DICHAS GARANTÍAS IMPLÍCITAS SE LIMITAN A LA DURACIÓN DE LA GARANTÍA EXPRESA CORRESPONDIENTE SEGÚN LO ARRIBA DESCRITO. ALGUNOS ESTADOS NO PERMITEN LIMITACIONES EN LA VIGENCIA DE UNA GARANTÍA IMPLÍCITA, POR LO QUE LA ANTERIOR LIMITACIÓN PODRÍA NO APLICAR A USTED. ESTA GARANTÍA LE CONFIERE DERECHOS JURÍDICOS ESPECÍFICOS Y USTED PODRÍA, ADEMÁS, TENER OTROS DERECHOS QUE VARIAN SEGÚN EL ESTADO.

Esta garantía aplica únicamente a los productos vendidos en EE. UU. y Canadá.

Consulte la pestaña "Búsqueda de centro de servicio" en la sección de Partes y servicio del sitio web de MILWAUKEE en www.milwaukeetool.com o llame al 1.800.SAWDUST (1.800.729.3878) para localizar su centro de servicio más cercano para darle servicio, con y sin garantía, a una herramienta de MILWAUKEE.

GARANTÍA LIMITADA - E.U.A. Y CANADÁ

Todos los datos de trinquete cuadrado* Insider™ de MILWAUKEE (consulte la lista en www.milwaukeetool.com) tienen la garantía de estar exentos de defectos en material y mano de obra durante la vida útil del producto. MILWAUKEE cambiará todo dado de trinquete cuadrado Insider™ que tenga defectos de material o mano de obra según lo determine MILWAUKEE mediante una revisión durante la vida útil del dado de trinquete cuadrado Insider™. Los daños ocasionados por el desgaste ordinario, mal uso, alteraciones, abuso, falta de mantenimiento o accidentes no quedan cubiertos por la presente garantía. Llame al 1.800.SAWDUST (1.800.729.3878) para más detalles acerca de cómo recibir un cambio o consulte la garantía de los datos de trinquete cuadrado Insider™ con la descripción del producto, una fotografía del producto, así como su nombre y domicilio de envío. *La presente garantía no cubre los adaptadores de datos de trinquete cuadrado Insider™.

LA ACEPTACIÓN DE LOS RESARCIMIENTOS EXCLUSIVOS DE SUSTITUCIÓN AQUÍ DESCRITOS ES UNA CONDICIÓN DEL CONTRATO EN CUANTO A LA COMPRA DE TODO PRODUCTO DE MILWAUKEE. MILWAUKEE NO ASUMIRÁ NINGUNA RESPONSABILIDAD POR CONCEPTO DE LOS COSTOS Y DAÑOS EXCEDENTES DEL PRECIO DE COMPRA QUE PAGÓ EL COMPARADOR MINORISTA ORIGINAL POR LOS PRODUCTOS MILWAUKEE EN CUESTIÓN. SI USTED NO ACEPTA ESTA CONDICIÓN, NO DEBE COMPRAR EL PRODUCTO. MILWAUKEE NO SERÁ RESPONSABLE EN NINGÚN CASO DE DAÑOS INCIDENTALES, ESPECIALES, EMERGENTES O PUNITIVOS NI DE NINGÚN COSTO, HONORARIOS DE ABOGADOS, GASTOS, PÉRDIDAS O DEMORAS QUE SUPUESTAMENTE SEAN CONSECUENCIA DE ALGÚN DAÑO, FALLA O DEFECTO DE ALGUNO DE LOS PRODUCTOS, INCLUYENDO, ENTRE OTROS, RECLAMACIONES POR PÉRDIDA DE UTILIDADES. ALGUNOS ESTADOS NO PERMITEN LA EXCLUSIÓN O LIMITACIÓN DE RESPONSABILIDAD POR DAÑOS INCIDENTALES, PUNITIVOS O EMERGENTES, POR LO QUE LA ANTERIOR LIMITACIÓN O EXCLUSIÓN PODRÍA NO APLICARSE A SU CASO. LA PRESENTE GARANTÍA LE CONFIERE DERECHOS LEGALES ESPECÍFICOS QUE PODRÁN SER DISTINTOS DEPENDIENDO DEL ESTADO.

Esta garantía aplica únicamente a los productos vendidos en EE. UU. y Canadá.

PÓLIZA DE GARANTÍA - VALIDA SOLO PARA MÉXICO, AMÉRICA CENTRAL Y EL CARIBE

La garantía de TECHTRONIC INDUSTRIES es por 5 años a partir de la fecha original de compra.

Esta tarjeta de garantía cubre cualquier defecto de material y mano de obra en ese Producto.

Para hacer válida esta garantía, presente esta tarjeta de garantía, cerrada/sellada por el distribuidor o la tienda donde compró el producto, al Centro de Servicio Autorizado (ASC). O, si esta tarjeta no se ha cerrado/sellado, presente la prueba original de compra a ASC. Llame 55 4160-3547 para encontrar el ASC más cercano, para servicio, partes, accesorios o componentes.

Procedimiento para hacer válida esta garantía

Lleve el producto a ASC, junto con la tarjeta de garantía cerrada/sellada por el distribuidor o la tienda donde compró el producto, y cualquier pieza o componente defectuoso se reemplazará sin costo para usted. Cubriremos todos los costos de flete con relación a este proceso de garantía.

Excepciones

Esta garantía no tendrá validez en las siguientes situaciones:

- Cuando el producto se use de manera distinta a la que indica el manual del usuario final o de instrucciones.
- Cuando las condiciones de uso no sean normales.
- Cuando otras personas no autorizadas por TECHTRONIC INDUSTRIES modifiquen o reparen el producto.

Nota: si el juego de cables está dañado, tiene que reemplazarse en un Centro de Servicio Autorizado para evitar riesgos eléctricos.

CENTRO DE SERVICIO Y ATENCIÓN

Llame al 55 4160-3547

IMPORTADO Y COMERCIALIZADO POR
TECHTRONIC INDUSTRIES, MEXICO, S.A. DE C.V.
Miguel de Cervantes Saavedra No.301 Piso 5, Torre Norte
11520 Colonia Ampliación Granada
Miguel Hidalgo, Ciudad de Mexico, Mexico

Modelo: _____

Fecha de Compra: _____

Sello del Distribuidor: _____

MILWAUKEE TOOL
13135 West Lisbon Road
Brookfield, WI 53005 USA

58143050d1
05/23

961014757-01(A)
Printed in China